

# Operating Manual for ErGo BaSi 1000-1500 Toilet, Bath and Hygiene Chair

05-2018



# Operating Manual for ErGo BaSi 1000-1500 Toilet, Bath and Hygiene Chair

05-2018

## 1. Contents

1. Contents.....	2
1. Introduction .....	3
2. Unpacking .....	3
3. General Safety Regulations .....	4
4. Area of Use .....	5
5. Use of the Chair .....	5
6. Expected lifespan of the product .....	6
7. Equipment and Accessories.....	6
8. Brakes.....	6
9. Manoeuvring instructions .....	7
10. Handling of Unit Parts .....	7
11. Cleaning.....	7
12. Maintenance.....	8
13. Service .....	8
14. Transport and storage .....	8
15. Disposal .....	8
16. Guarantee .....	9
17. Technical Specifications.....	9
18. Symbol Explanations.....	9
Annex A Periodic inspection.....	10
Annex B Daily inspection before use.....	11
Annex C Guidance, Yearly Inspection of chair .....	12
Annex D Drawing .....	13
Annex E Spare parts list.....	14

# Operating Manual for ErGo BaSi 1000-1500 Toilet, Bath and Hygiene Chair

05-2018

## 1. Introduction

RehabCare congratulates you on your new equipment.

RehabCare Toilet and Bath Chair is a modern and up-to-date product based on our long experience in the field. This Chair enables you to enhance function, quality and handling in one optimal solution.

Through continual development in all phases of our production process we endeavor to ensure conscientiousness and quality. Therefore Rehab-Care can guarantee a very reliable and functional high-quality product. Satisfied customers are the primary goal in our product development.

The Chair fulfils requirements in respect of the medical directive for class 1 products (MDD93/42EEC), ISO 17966:2016,

Thank you for your confidence in our products and for your collaboration.

**Sincerely**

**RehabCare ApS.**

Manufacturer:



Agent:

## 2. Unpacking

Carefully unpack the chair. Check that all parts and accessories are included.

Check the chair for eventual transport damage.

We recommend that the chair be cleaned before use, see cleaning instruction.

Contact the agent or manufacturer if the chair is damaged or non-functioning.

# Operating Manual for ErGo BaSi 1000-1500 Toilet, Bath and Hygiene Chair

05-2018

## 3. General Safety Regulations



Warning!  
Do not use a high-pressure cleaner on the product.



Warning!  
Do not use chemicals, and carry out a yearly service inspection for damage



Warning!  
Only use the remote control delivered with the product.



Warning!  
Dirt in the wheels can damage/destroy the chair's wheels.



Warning!  
Do not use wheels other than those recommended by the manufacturer.



Warning!  
Children must not use the chair without supervision. It is not a toy!



Warning!  
The chair must not lift more than 200 kg

Warning!  
Use only the recommended seat and other parts of the chair.



Warning!  
Before and during a lift, ensure there is no danger of crushing for user or helper.



Warning!  
The chair must not be used if a malfunction is suspected.



Warning!  
Do not lift the user higher than necessary, and do not tilt the chair more than necessary.



Warning!  
The chair can overturn if used incorrectly. Personal injury can occur if warnings and instructions are disregarded. Read instructions carefully before using the chair.

### **Attention! Before use:**

To avoid injury during handling and use of the chair, the instructions for safety and use should be read and understood.

# Operating Manual for ErGo BaSi 1000-1500 Toilet, Bath and Hygiene Chair

05-2018

## 4. Area of Use

The Chair is for use in a private home, care homes and hospitals.

In toilet-, bath- and sanitary areas.  
In the care of wounds, skin and feet.  
Washing of hair.  
Dressing and undressing.  
As transport to toilet/bathroom, etc.

The chair is intended for indoor use.

The chairs Safe Working Load (SWL) is made up as follows: Equipment: 25 kg. – User: 175 kg.  
SWL: 200 kg.



Warning!  
The chair must not lift more than **200 kg**.

## 5. Use of the Chair

- The chair is for use for general toilet- and bath situations, transport to and from the toilet, transport between bed and wheelchair, dressing and undressing.
- The helper should be aware of all necessary general and safety instructions before the user is lifted with the chair.
- The chair must only be used in accordance with Instructions for Use and by personnel instructed in its correct use.
- The helper should try the chair together with a colleague before lifting the user.
- The user must be instructed in the use of the chair by the helper before using it for the first time.
- Persons with physical or psychological limitations must not use the product without supervision, or unless they have first been instructed in the proper use of the chair and its equipment.
- Children must be under supervision to ensure that they do not play with the product.
- The helper is responsible for ensuring the chair is not defective; therefore a visual control of the chair should be made before a lift. The Agent should be contacted immediately in case of defects.
- Ensure all wheels are unlocked before moving the chair.

# Operating Manual for ErGo BaSi 1000-1500 Toilet, Bath and Hygiene Chair

05-2018

## 6. Expected lifespan of the product

The product has an expected lifespan of 15 years.

Lifespan is based on the correct use, cleaning, service and maintenance.

If the chair is to be used longer than the above mentioned expected lifespan, it should be assessed by qualified service personnel before future use.

It is the helpers' responsibility to assess whether the product can be used over the expected lifespan.

## 7. Equipment and Accessories

### The chair comprises:

- Frame with 4 wheels.

### Optional accessories:

- Footrest with adjustable plate
- Seat cushion with diverse openings
- Legstrap in artificial leather
- Back support in artificial leather
- Leg rest
- Body/side support
- Safety guard
- Hemi-armrest
- 
- And more. Please see Rehab Care's complete accessory list.

Before and during a lift, ensure that no injury can be incurred by helper or user.




When lifting, ensure that SWL is not exceeded.



Do not tilt the chair more than necessary.

## 8. Brakes

<p>Brakes</p> 	<p>All 4 wheels have a brake function Press brake pedal down to activate the brake Always activate the brake when parking the chair</p>
---	---

# Operating Manual for ErGo BaSi 1000-1500 Toilet, Bath and Hygiene Chair

05-2018

## 9. Manoeuvring instructions

1. The chair should be set to the lowest possible position when moving a user, according to the needs of the user.
2. The chair should be pulled during a move, this gives a smoother ride for the user, and at the same time puts less strain on the helper
3. The helper should stand at the side of the chair when turning. The chair should be turned on its own axis; the helper pulling with one hand on the chair's back-/maneuvering guard. When using the chair, it is recommended that the helper uses the whole body and not twists torso and shoulders.
4. The helper must always check on the chair's stability and that there is no risk of overturning. Check for obstacles in the chair's path.
5. Be prepared for the task: move a wheelchair to the chair, or the chair to a bed.
6. Push or pull the chair smoothly; hasty movements are uncomfortable for the user and an abrupt stop can be a safety danger.
7. Pull the chair if it must go over a doorstep or other obstacle, this makes the movement smoother and safer.
8. Do not lift the chair, this is dangerous for both helper and user.
9. Always use the wheel brakes when the user is in the chair.
10. Do not raise/tilt the user more than necessary.
11. Never stand on the footrests; this could injure the user and/or helper and damage the product.

## 10. Handling of Unit Parts

Footrests and leg supports. None of the accessories weighs more than 11 kg.

## 11. Cleaning

Metal parts of the chair can be cleaned with cleaning or disinfectant fluid.

The chair can be cleaned in accordance to SSI and MRSA. Also with ethanol 70-85%, chlorine 1000-1200 ppm and chlorine cloths (wet serviettes).

The wheels must only be cleaned with products not containing corrosive or damaging materials. The chair is made to be washed in a wash-machine/tunnel.

# Operating Manual for ErGo BaSi 1000-1500 Toilet, Bath and Hygiene Chair

05-2018

## 12. Maintenance

- Wheels must be free of hair, soap, and dirt.
- Yearly service is recommended.
- Moving parts should be checked, tightened and greased.
- Worn chairs should be replaced.

## 13. Service

The chair should undergo a yearly service, carried out by qualified personnel. The yearly service is compulsory according to standard EN ISO 17966. It is the owner's responsibility to ensure the yearly service is undertaken. A service protocol should be established for the serviced chair, and be signed by the customer after every service.

If the service technician discovers a serious fault during service, it is the technician's duty to remove the chair if the fault constitutes a safety risk.

Service, repairs and other additional work on the chair between services should be noted in the service protocol.

### 13.1 Service - WHEELS

Wheels should be regularly serviced as necessary, usually tightening.

The wheels have closed bearings; therefore greasing is not necessary.

Cleaning fluids containing corrosive or damaging materials must not be used

Wheels and parts should be replaced as soon as they no longer run smoothly.

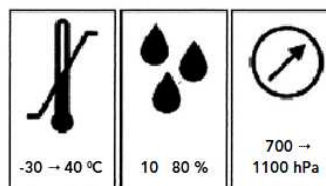
## 14. Transport and storage

If the chair is not to be used for a long time, it is recommended that it be covered to protect it from dust and dirt. It is also recommended that the battery be removed as its lifespan is severely reduced if allowed to become completely discharged.

The chair should be stored in a frost-free environment with normal air humidity (80%).

Requirements for storage and transport:

- Air humidity between 10 and 80%
- Temperature between -30 and 40 degrees C
- Pressure between 700-1100 hPa



## 15. Disposal

For disposal, separate the chair into electronic and metal waste.

Electronic waste should be disposed of according to regulations in force, and must not be disposed of with general waste.



# Operating Manual for ErGo BaSi 1000-1500 Toilet, Bath and Hygiene Chair

05-2018

## 16. Guarantee

There is a 2-year guarantee on the chair.

The guarantee becomes invalid in the following cases:

1. Overloading the chair.
2. Violent use of the chair.
3. Handling fault, wrong use of the chair
4. Absence of, or wrong maintenance.
5. Damage to the surface, scratches and mechanical interference.

At RehabCare we are continuously endeavoring to improve our products.

We therefore reserve the right to change our products without prior notification.

All measurements given in the drawings or other material are only guidelines, and subject to errors.

## 17. Technical Specifications

Max. load	200 kg
Lift space, measured from seat	46,4 – 59 cm.
Chair – outside width	59 cm.
Free height under seat in chair's lowest position	46 cm.
Free height of frame	7 cm.
Length of frame	62 cm.
Wheel diameter	Ø125 mm
Turning radius	Approx..43 cm.
Total weight	15 kg
Surface	Zincphosphate and powder coating
RAL color standard	RAL9006.

## 18. Symbol Explanations

The following symbols are used on the labels and/or in these Instructions



Warning, see relevant documents

# Operating Manual for ErGo BaSi 1000-1500 Toilet, Bath and Hygiene Chair

05-2018



User information



For indoor use



CE approved directive for medical equipment 93/42/EC



## Annex A Periodic inspection

**A.1** Periodic inspection of the chair should be undertaken as recommended by the manufacturer, at least once a year. Periodic inspection includes visual inspection, especially of the chair's support structure, hoist, brakes, steering, safety and personal aids, as well as a functionality test and any necessary maintenance, e.g. brake adjustment, tightening of screws, etc.

Every inspection must include a test of one (1) lift cycle with the maximum load.

**A.2** Periodic inspection must be undertaken by a suitably qualified person with knowledge of both the construction, use and maintenance of the chair.

**A.3** All observations and remarks should be noted in a logbook held by the person(s) responsible for servicing/maintenance of the chair.

The date when the chair is repaired according to any observations made under the inspection, should also be noted in the logbook.

**A.4** The date when the inspection of the chair is undertaken, and the result of the inspection should be noted in the logbook together with the signature of the inspector.

**A.5** If the periodic inspection reveals faults, wear or other damage which constitutes a safety risk, the owner should be informed immediately. In the case of a direct safety risk the chair must be taken out of service immediately. The chair must not be used before it is repaired.

**A.6** Faults and serious damage which could constitute a safety risk, and which occur between inspections, but which have been corrected and repaired should also be noted in the logbook.

**A.7** Faults and damage should be reported to the manufacturer/dealer. This feedback should be noted in the logbook.

# Operating Manual for ErGo BaSi 1000-1500 Toilet, Bath and Hygiene Chair

05-2018

## Annex B Daily inspection before use

Nr.	Check	Remarks
1	<ul style="list-style-type: none"><li>All parts in place, no loose parts</li></ul>	
2	<ul style="list-style-type: none"><li>The chair has no rust or surface damage.</li></ul>	
3	<ul style="list-style-type: none"><li>The chair shows no sign of other damage.</li></ul>	
4	<ul style="list-style-type: none"><li>Wheels and wheel brake function</li></ul>	
5	<ul style="list-style-type: none"><li>Quick guide can be found on the chair</li></ul>	

### Daily cleaning

Remove hair, soap and dirt around the wheels  
Clean the chair with a damp cloth

The chair should be cleaned with cleaning or disinfectant fluid with a brush or sponge. Rinse, then dry thoroughly.

Harsh dissolvent must not be used.

100% chlorine solution must not be used.

When cleaning the wheels, cleaning fluids must not contain corrosive or damaging material



Warning!!  
Never use a high pressure hose on the product.

# Operating Manual for ErGo BaSi 1000-1500 Toilet, Bath and Hygiene Chair

05-2018

## Annex C Guidance, Yearly Inspection of chair

*(To be completed by the person responsible, with further control as deemed necessary)*

Date::		Product ID / serial nr.:
Carried out by::		
Inspection carried out at:		

Nr.	Check	Bemærkning
	<b>Visuel kontrol af produkt</b>	
1	- Damage	
2	- Distortion	
3	- general damage	
4	- rust	
5	- stability – no loose parts	
6	- wheels run smoothly	
7	- loose wheels	
8	- check Seat for wear	
Nr.	Check	Remarks
	<b>Additional:</b>	
9	Clean and grease as necessary	
10	Attach label with the date of the next inspection	

Date: \_\_\_\_\_ Initials/Signature \_\_\_\_\_

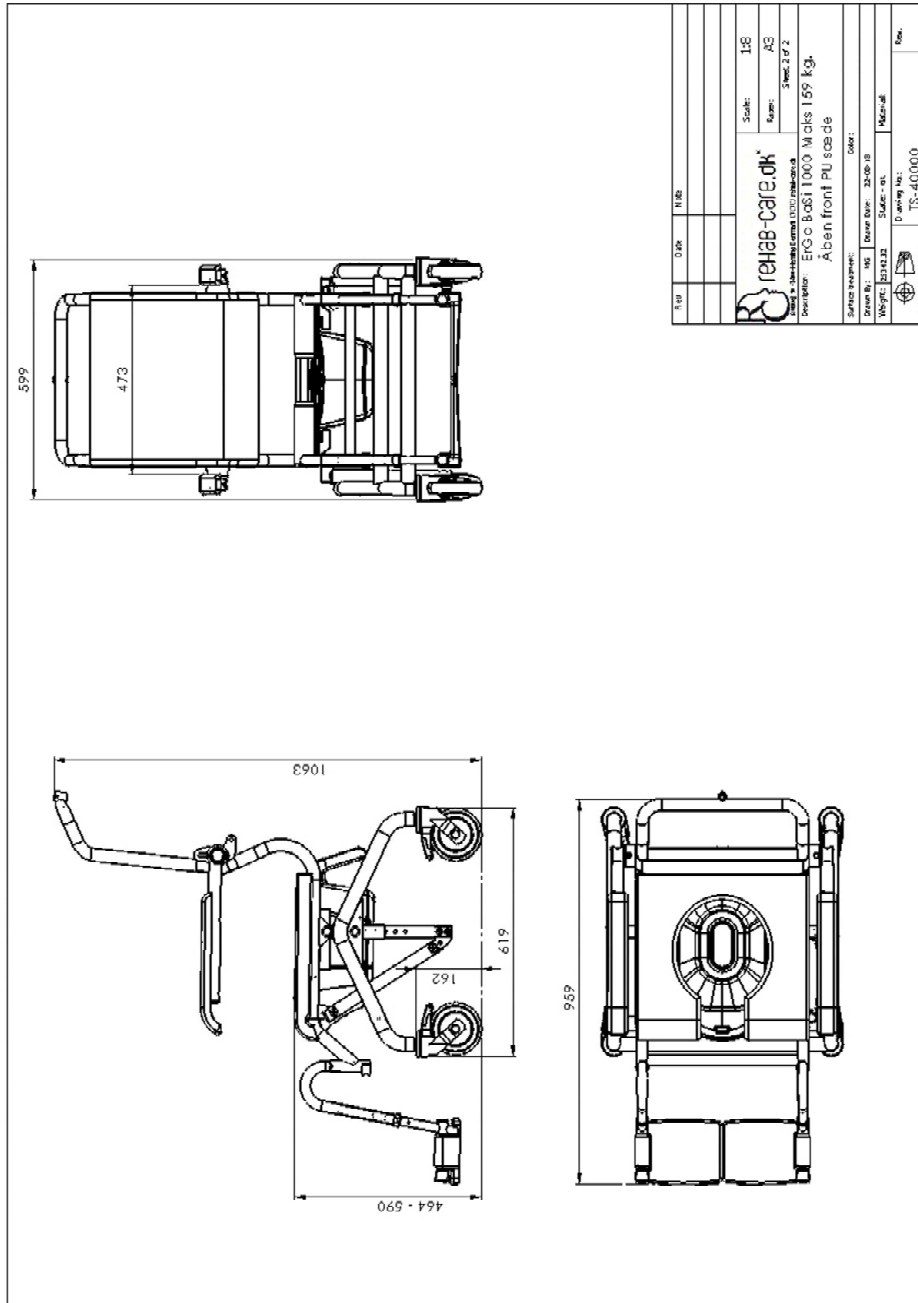
**The yearly inspection can be registered electronically in the product's service log, by RehabCare.  
Contact RehabCare for further information.**

# Operating Manual for ErGo BaSi 1000-1500 Toilet, Bath and Hygiene Chair

05-2018

## Annex D Drawing

### D1. Drawing - ErGo BaSi 1000



# Operating Manual for ErGo BaSi 1000-1500 Toilet, Bath and Hygiene Chair

05-2018

## Annex E Spare parts list

ITEM NO.	PART NUMBER	Description	QTY.
1	kødepudder c/beth front		1
2	fs-8150	Fodhviler komplet højre	1
3	fs-8250	Fodhviler komplet venstre	1
4	Skal r/G-læng	Skal for ryg	1
5	fs-7500	Holder for armlæn	2
6	Armsløjle-360	Armsløjle pude	2
7	6377F1P125F30-11	ø125 hjul med bremse	4
8	8235 prop	Pløst prop	3
9	fs-23000	Stoletramme til kips-stol	1
10	M10-k-spec-bolt	Bolt M10 med bryst kort	2
11	DIN T 1587 - M10 - ..		1
12	fs-4560	Ophæng stol	2
13	fs-4063	M/Gelbeslag	1
14	Pos-bolt M12-ZS		2
15	ISO 7380 - M10 x 40		2
16	ISO 7380 - M8 x 30 - 40N		2
17	Hexagon Nut ISO		1
18	4034 - M10 - N	Stop klods	1
19	DIN 912 M6 x 12 ...		2
20	DIN 912 M8 x 25 ...		4
21	fs-7105	Ophæng for armlæn venstre	2
22	fs-7109	Spændplade	2
23	Spænd og lag	Spænd og lag	1
24	fs-7110	Holderør	1
25	fs-4550	Kip stol hyppuramme	1

REK	DIR	NRB
ERGO BaSi 1000 M/Cks 139 kg. Åben front PU sæde		
Scale:	1:08	
Page:	A3	Side 1 af 2
Scale:	A3	
Scale:	A3	
Scale:	A3	
Scale:	A3	
Scale:	A3	
Scale:	A3	

Contact the dealer if the chair does not function correctly.