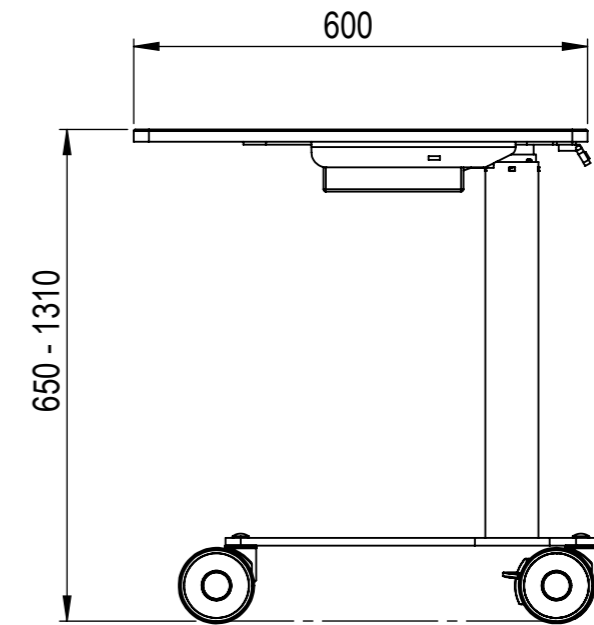
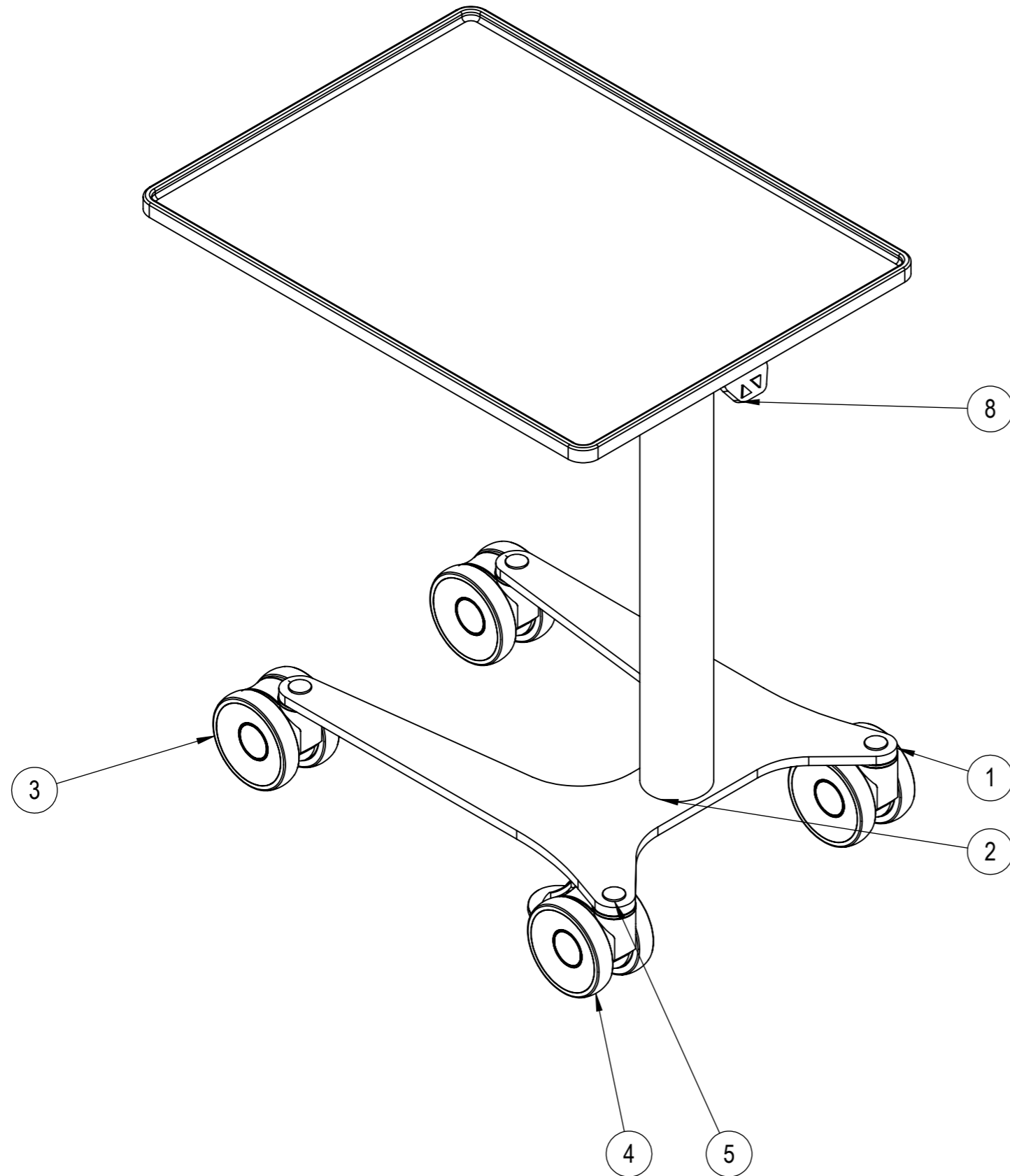
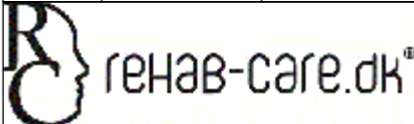



ITEM NO.	PART NUMBER	Description	QTY.
1	DRP-501	Grundplade bord	1
2	DL14		1
3	5940UAP100P30-10 LH	Wheel low ø100	2
4	5945UAP100P30-10 LH	Wheel low ø100 brake	2
5	ISO 8678-M10x65-26-N		4
6	Boks for bordsøjle		1
7	DRP-508	Topbeslag for bord	1
8	DPA		1
9	DRP-509	Bordplade Lud birk MDF	1



Rev	Date	Note
		Scale: 1:5 Paper: A3 Sheet 1 of 1
Description: Bord med motor		
Surface treatment:		Color:
Drawn By: MG	Drawn Date: 17-12-15	
Weight: 17667.90	State: - ok	Material:
 Tolerances ISO 2768-mK		Drawing No.: DRP-600
		Rev.