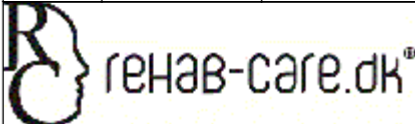

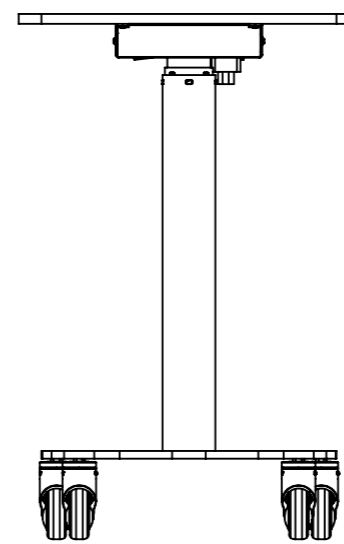
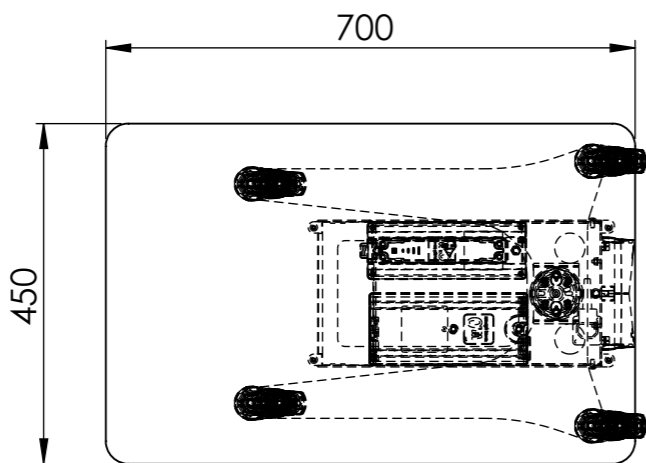
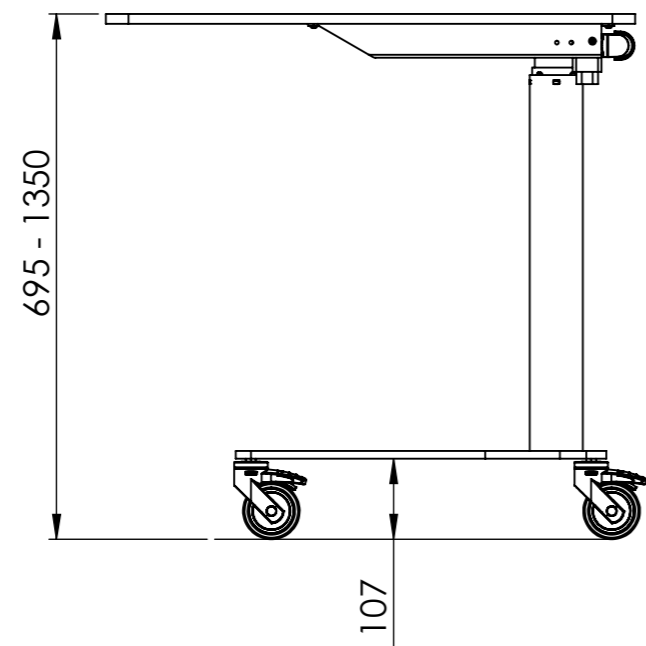




ITEM NO.	PART NUMBER	Description	QTY.
1	DRP-610	Hjulplade med stifter	1
2	DL14	Løfte søjle 3-delt	1
3	DRP-552	Bordplade 700x450	1
4	BA001	Batteri	1
5	cbd6s	Styring	1
6	FS3-smal	Betjening	1
7	DRP-580	Top beslag bord	1
8	DRP-712	Afstand ved motor	1
9	DRP-713	Ende plade	1
10	ISO 7380 - M5 x 10 - 10N		6
11	DIN 7991 - M6 x 50 -- - 18N		4
12	Gummi-ø9		1
13	5325 PJP 075 L51-10	Hjul med bremse ø75	4
14	PX0685 app-stik	Net stik hun	1

Rev	Date	Note
		Scale: 1:10 Paper: A3 Sheet 1 of 2
Description: Bord med motor 700x450 Patientbord		
Surface treatment:		Color:
Drawn By: MG	Drawn Date: 19-12-19	
Weight: 19751.44	State: - ok	Material:
 Tolerances ISO 2768-cl		Drawing No.: DRP-940
		Rev.



 rehab-care.dk [®] <small>Avnvej 10 -7400-Herring Denmark WWW.rehab-care.dk</small>	Scale:	1:10
	Paper:	A3
	Sheet 2 of 2	
Description: Bord med motor 700x450 Patientbord		
Surface treatment:		Color:
Drawn By: MG	Drawn Date: 19-12-19	
Weight: 19751.44	State: - ok	Material:
 Tolerances ISO 2768-cl	Drawing No.: DRP-940	Rev.