

Operating Manual Day Care Chair

2-2017



ISO 13485
Management System Certification

BUREAU VERITAS
Certification Denmark A/S



Operating Manual Day Care Chair

2-2017

Content

1. Introduction.....	3
2. Unpacking	3
3. General Security Rules.....	4
4. Area of Use	5
5. Products Life expectancy	5
6. Equipment and Accessories	5
7. Power connection	6
8. Battery charging	6
9. Electrical operating procedure	7
10. Manual operating procedure.....	8
11. Trendelenburg (accessory).....	9
12. Emergency lowering (accessories).....	10
13. Bed guard (optional).....	11
14. Holder for Oxygen Cylinder (accessories)	12
15. Holder for IV pole (accessories)	12
16. Side table	13
17. Technical specifications.....	13
18. Handling of parts during Transport	14
19. Cleaning	14
20. Maintenance	14
21. Service	15
22. Transport and storage	15
23. Disposal.....	16
24. Electromagnetic – EMC effects	16
25. Guarantee	16
26. Symbol explanation	17
Annex A Periodic inspection	18
Annex B Daily inspection before use	19
Annex C Recommended annual service inspection	20
Annex D Drawings.....	22
Annex E Spare parts list	23
Annex F Troubleshooting	24

Operating Manual Day Care Chair

2-2017

1. Introduction

Congratulations with your new Rehab-Care dk ApS equipment.
Rehab-Care dk ApS products are modern and up-to-date, based on our long experience in this field.
This equipment brings functionality, quality and easy handling to an optimal level.
Through continuous development at all levels of our manufacturing process, we are committed to pay attention to details and quality. We are therefore your guarantee of a very reliable and functional product.

The Chair complies with the medical directives for 1class equipment (Medical Devices Regulation (EU) 2017/745 - MDR), EN 60601-1, EN60601-1-2, IEC60601-2-52.

Thank you for your confidence in our product, and for your cooperation.
We wish you every satisfaction with your new equipment.

Best regards Rehab-Care dk ApS.

Version 02-16.01.2017

Manufactured by:



Rehab- Care.dk ApS
Avnvej 10
7400 Herning, DK








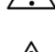
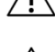
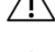



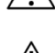
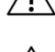
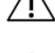

Agent:

2. Unpacking

Unpack the chair carefully and check all parts and accessories.
Check for possible transport damage.
We recommend that the chair is cleaned before use, see cleaning instructions.

Contact dealer if the equipment is damaged or not functioning.

3. General Security Rules

-  Warning! Do not use a high pressure cleaner on this product.
-  Warning! Do not use chemicals that are not improve. Carry out an annual inspection for damage.
-  Warning! Use only the supplied remote control.
-  Warning! Prevent foreign articles from damaging the wheels.
-  Warning! Use only spare wheels recommended by the supplier.
-  Warning! The chair must not be operated by children under the age of 12.
-  Warning! The chair has a maximum capacity of 250 kg SWL.
-  Warning! Use only approved mattresses of the same type as those supplied.
-  Warning! The chair should not be used if there is any doubt about it being in good working order.
-  Warning! The chair is not approved for private use.
-  Warning! When the patient is not being supervised, the chair should be in the lowest position to prevent falling accidents.
-  Warning! Wrong use of cables, power supply, and remote control can lead to accidents.
-  Warning! Prevent damage to power cable.
-  Warning! Chairs must not be stacked on top of one another.
-  Warning! Use of non-approved accessories may result in loss of CE approval.
-  Warning! Attention must be paid when changing the position of the bed guard.
-  Warning! Use of the Trendelenburg function must only be in accordance with the hospitals internal security rules.

Read all instructions carefully before use.

Operating Manual

Day Care Chair

2-2017

4. Area of Use

The chair is for use in out-patient clinics, casualty wards and doctors surgeries.

The chair is for indoor use only.

The chairs safe working load (SWL) is as follows:

SWL:	250 kg.
Patient:	180 kg.
Mattress:	10 kg.
Accessories:	10 kg.

Persons with physical or psychological handicaps must not use the product without supervision or without adequate training in the use of the chair.

Children must not be left unsupervised around the chair, it is not a toy.



Warning! Chair is not tested and evaluated in relation to use in private homes, therefore do not use product in private homes



Warning! Chair should not be used by children under the age of 12

5. Products Life expectancy

The product has a life expectancy of 10 years.

Life expectancy is based on the correct use, cleaning, service and maintenance.

If the chair is to be used longer than the above-mentioned life expectancy, it must be evaluated by qualified service personnel before further use.

It is the users' responsibility to evaluate the chair maintains, if used over the listed lift time.

Electrical parts must only be serviced by qualified technicians.

6. Equipment and Accessories

The chair consists of:

- Wheel-based undercarriage with 3-part surface
- Electrical hand control for all functions
- Trendelenburg function
- Removable armrests

Extra accessories available:

- Operation via foot pedal
- Side table
- IV pole
- Paper Holder
- Holder for oxygen cylinder
- Storage net to the back section

7. Power connection

Plug main cable into power supply.

The chair is equipped with a 230V/DC transformer.

Roll up cable when charger is not in use.



Warning! Before connection, control the cable for damage



Warning! Remove cable from main switch to disconnect power supply



8. Battery charging

The battery box should be charged before use to ensure the longest possible life of the battery. Charging time depends on the condition of the battery.

Before the chair is used for the first time, the battery should be charged for **24 hours**.

Thereafter battery charging time will be **4 hours**.



Operating Manual Day Care Chair

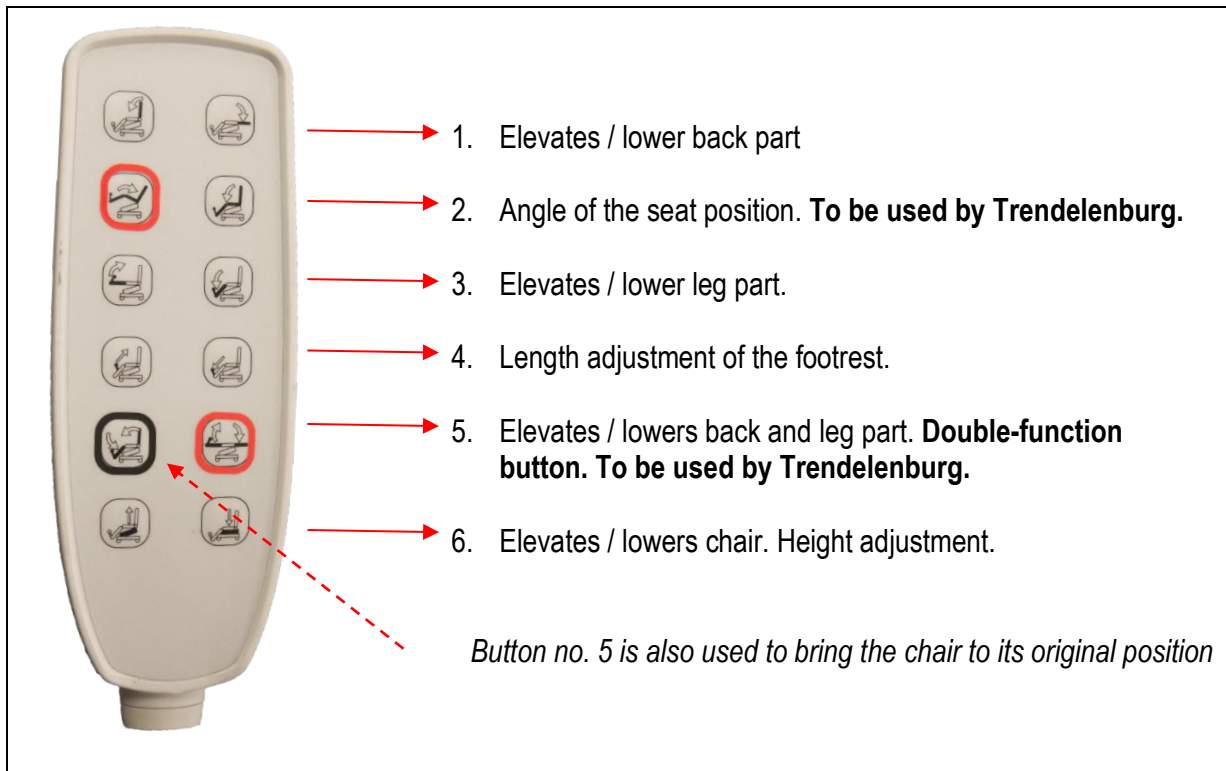
2-2017

9. Electrical operating procedure

Adjustment of the chair is by use of the remote control.

See diagram on the remote control.

The chair can be operated by both caretaker and patient.





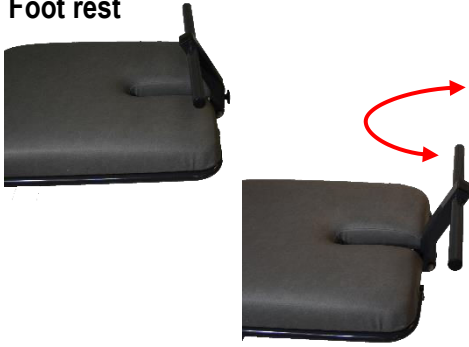


- ⚠ When lifting with a patient, the maximum weight must not be exceeded
- ⚠ When lifting, SWL must not be exceeded
- ⚠ Check there is a free space over the chair before lifting
- ⚠ The chair must be able to function unhindered up and down
- ⚠ Check the remote control cable is in good condition and free from any damage

Operating Manual Day Care Chair

2-2017

10. Manual operating procedure

<p>Wheel lock (pedal)</p> 	<p>No-lock function</p> <p>Brake pedal in horizontal position – no lock function</p> <p>NOTE: To move the chair, brake pedal should be in horizontal position</p>
<p>Wheel lock (pedal)</p> 	<p>Lock function</p> <p>Brake pedal (red end down) chair is locked against rolling and turning</p>
<p>Wheel steering (pedal)</p> 	<p>Steering activated</p> <p>Brake pedal (green end down) activates steering function (under transport)</p>
<p>Armrest</p> 	<p>The armrests are attached to the seat section so they always are parallel to the seat position.</p> <p>To facilitate access to the chair armrest can be flipped backwards.</p> <p>The armrest can be removed by pulling horizontally from the chair when the armrest is in upright position.</p> <p>Under the seat there is space to store both arm rests when not in use.</p>
<p>Foot rest</p> 	<p>Electrical length adjustment: 200 mm using the remote control button no. 4.</p> <p>The footrest can be removed by pulling it straight up.</p> <p>Extra lying surface length regulation: By turning the footrest 180 degrees the mattress extends by 140 mm.</p>

11. Trendelenburg (accessory)

The chair can be adjusted in Trendelenburg (12 degree angle) by using the remote control (**Double-function button**) or by pressing the footswitch.



Warning!

Use of the Trendelenburg function must only be used in accordance with the hospitals internal security regulations

12. Emergency lowering (accessories)

Emergency disengagement of back function and manual Trendelenburg function.

When power failure the chair can manually disengaged and placed in the Trendelenburg position. This is done by release the 4 handles located on the back part. The upper 2 handles releases the back park and the lower 2 handles releases the chairs seat part.

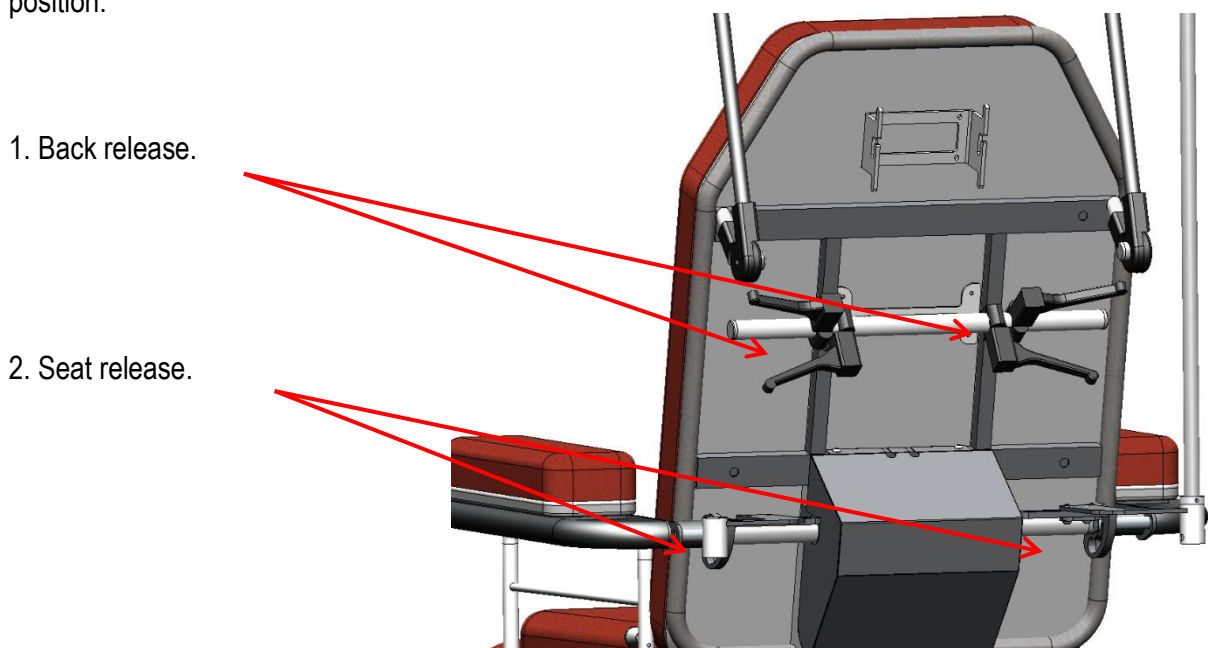
Operated by:

1. Enable the back part and guide it down to a horizontal position.
2. Enable the seat part and press the back part down so the chair slides in Trendelenburg position.

Return to normal position.

1. Activat the seat-release handle and then press down on the leg part so the seat part slides into a horizontal position.
2. The back part can be elevated with remote control, be aware that both handles are left in the 0-position.

NOTICE the Emergency lowering function is for in emergencies to lead the chair in Trendelenburg position.

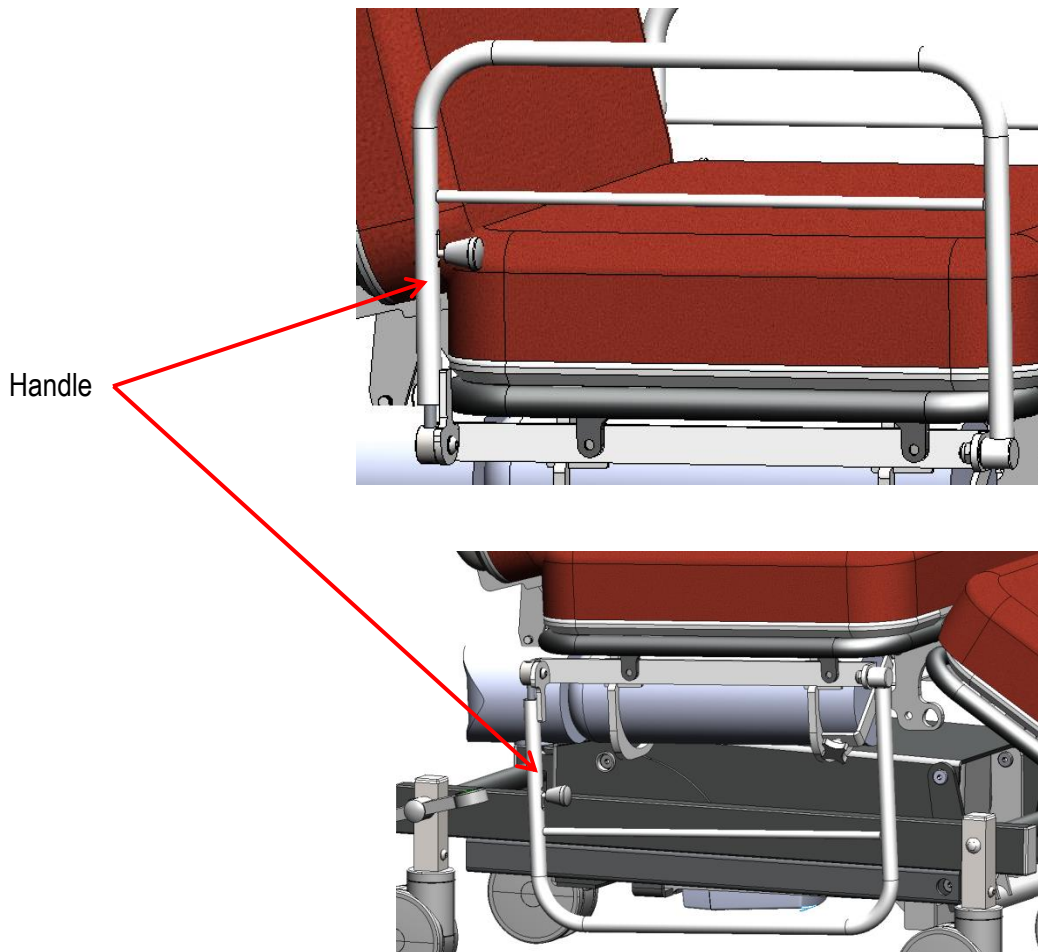


13. Bed guard (optional)

Can be mounted on both sides of the seat part. Spring influenced locking function.

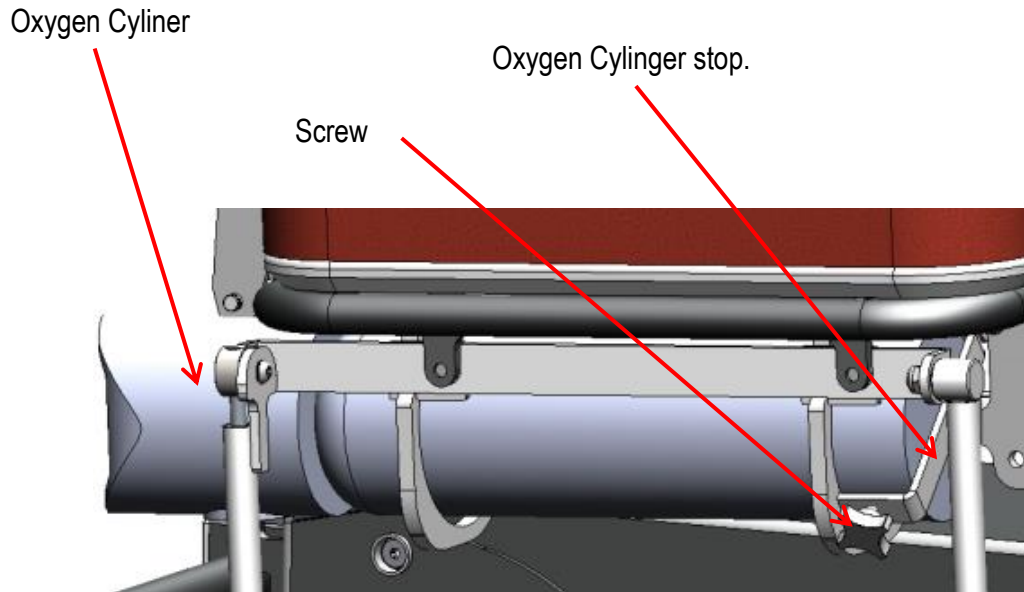
Operated by:

1. Handle is drawn up and the bed guard is unlocked and can be flipped down.
The bed guard is locked in the lowered position.
2. Handle is pulled down, and the bed guard is unlocked and can be flipped up.



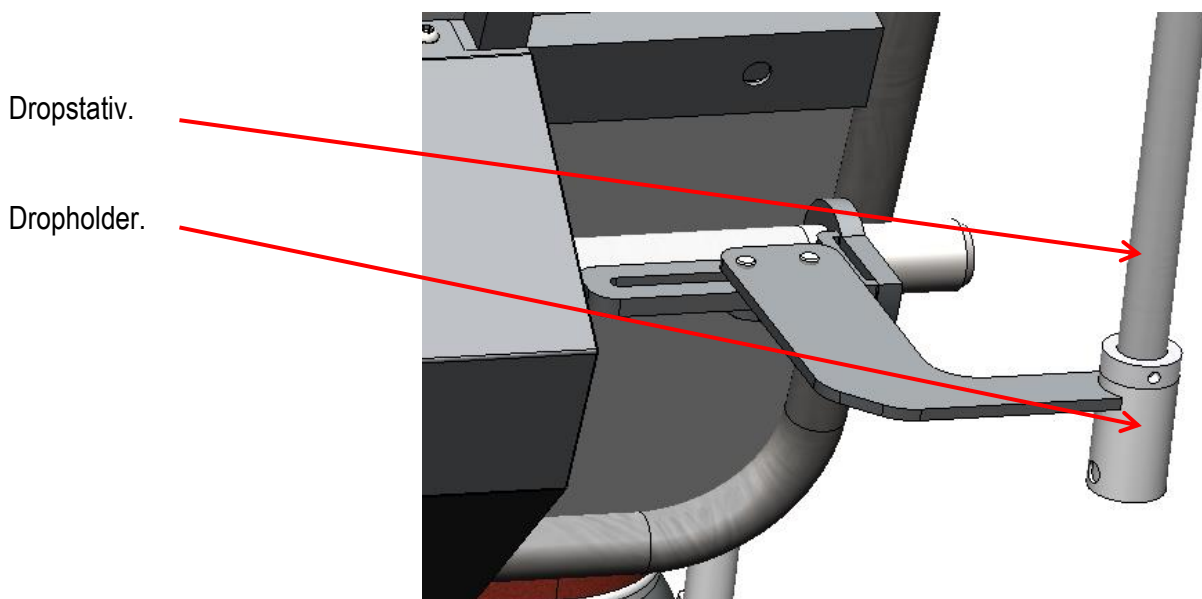
14. Holder for Oxygen Cylinder (accessories)

The holder for Oxygen bottle consists of two iron rings, where the front is provided with oxygen cylinder-stop and screw for locking of the cylinder.
Be aware that the cylinder is pushed right up against the stop and the screw is tightened so the Cylinder is maintained.



15. Holder for IV pole (accessories)

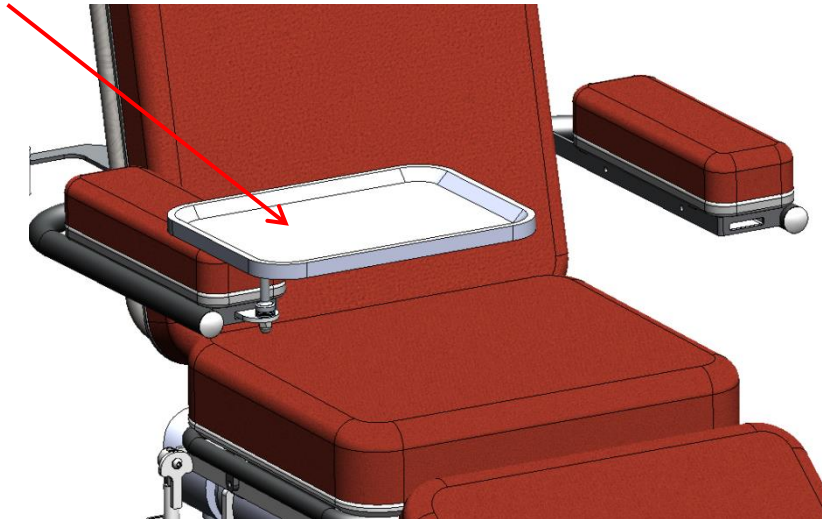
The holder for the IV pole is attached to the suspension for armrest behind the back portion.
The holder for the IV pole is guided parralle with the seat part.
When the holder is not used is may be pushed away.



16. Side table

Side table can be placed in both armrests. It can be rotated, pulled back and forth stepless.

Armrest.



Be aware that the side table is empty before the armrest is flipped up and the patient does not get trapped.

17. Technical specifications

17.1 Choice of mattress:

The mattress are attached to the chair.

17.2 Angles and heights:

Angles and heights are listed under **D1 Dimensional drawing – Chair.**

Lowest measure from floor to seat top	57 cm
Highest measure from floor to seat top	93 cm
Trendelenburg	12 degrees

Maks. Width:	885 mm	Leg part Length:	700 mm
Min. Width: (uden armlæn)	600 mm	Breake wheel diameter:	125 mm
Maks. Length:	2210 mm	Weight:	95 kg
Min. Length:	1515 mm	Power requirements:	230V~50Hz
Length (lying surface):	2100 mm	Armrest max load:	30 kg
Width (lying surface):	580 mm	Leg part Max load:	50 kg
Back part Length:	845 mm	Back part max load:	50 kg
Seat part Length:	520 mm		

18. Handling of parts during Transport

Removable armrests.

19. Cleaning

The chair should be cleaned with a brush or sponge, using a cleaning or disinfection liquid. Rinse well with clean water and then dry thoroughly.

100% chlorine solution must not be used.

Wheels should only be cleaned with a non-corrosive cleaner.

The mattress should be cleaned with a damp cloth and soap/cleaning liquid.



Warning

Never use a high pressure cleaner on the product



Warning

Steam cleaning must not be used



Warning

Automatic washing machines must not be used

20. Maintenance

Wheels should be kept free of hair and dirt.

Annual service is recommended.

Moving parts should be checked, tightened and greased.

Worn bearings should be replaced, at turning points.

Batteries should be replaced as necessary.

Operating Manual

Day Care Chair

2-2017

21. Service

It is recommended that qualified personnel are servicing the chair once a year. It is the responsibility of the owner to ensure the service is carried out. A service protocol for the chair should be established. The protocol should be signed by the customer after each service. If the technician discovers a serious defect with the chair, he is under obligation to remove the chair if the defect could lead to a security risk.

Service, repairs and other work on the chair between service checks should be noted in the service protocol.

21.1 Service - Actuator

The actuator/motor should be replaced after 11.000 cycles or min. every 5 years. Replacement of actuator must only be carried out by authorized service personnel.

21.2 Service - Wheels

Wheels should be serviced when necessary: Tightening of bolts.

Dust-tight bearings require no lubrication.

Use only corrosion-free cleaning liquid.

Wheels and parts must be replaced as soon as a malfunction is detected.

21.3 Service - Battery

If the chair is not functioning normally and the batteries are fully charged, it could be that the lifetime of the battery has been exceeded and the battery should therefore be replaced. Replacement of the battery must be carried out by qualified personnel.

Use only original spare parts.

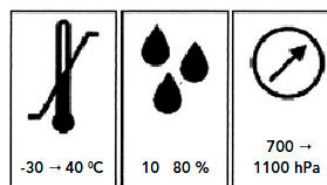
22. Transport and storage

If the chair is not to be used for a long period, it is recommended that it be covered to protect it from dirt and dust. The battery should also be removed, as the lifetime of the battery is significantly reduced if fully discharged.

The chair should be stored in a frost-free environment with humidity of not exceeding 80%.

Transport and storage requirements:

- Humidity between 10 and 80%
- Temperature between -30 and 40 deg. C
- Pressure between 700 – 1100 hPa



Operating Manual Day Care Chair

2-2017

23. Disposal

The chair should be separated into electronic, metal and the mattress waste and should not be disposed to normal waste.

24. Electromagnetic – EMC effects

Mobile RF communication equipment (for example cell phones) can affect electrical medical equipment.

Use of other than the authorized accessories and cables could result in increased emission or reduce product immunity.

Power supply via grid-power must be as normally used in hospital environment.

25. Guarantee

In accordance with Danish law, the chair has a 2-year guarantee.

The guarantee becomes null and void in the following circumstances:

1. Overloading the chair.
2. Violent use of chair.
3. Operating error, wrong use of chair.
4. Lack of or wrong maintenance.
5. If the LINAK electrical parts are opened or have been wrongly used.

For complaints: Please provide serial number. This can be found on the product label, located at the wheel frame.



At Rehab-Care dk ApS we endeavor to continually improve our products.

We reserve the right to improve the product without prior notice.

All measurements on drawings or other material are only guidelines with the usual provisions for errors.

Operating Manual Day Care Chair

2-2017

26. Symbol explanation

The following symbols are used on labels or in this Manual:



Warning, see attached document



User information

IPX4 CBJ Protection against water damage to enclosed parts

IPX6 CB12 Protection against jets of water (12.5 mm jet) to enclosed parts



Class 2 equipment



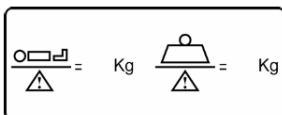
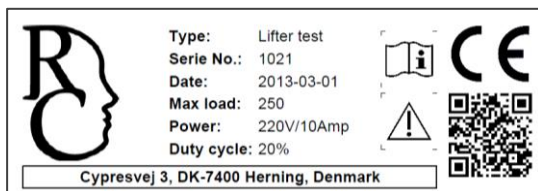
Type B equipment (EN 60601-1)



For indoor use



CE approval Medical Devices Regulation (EU) 2017/745 - MDR



Safe Working Load (SWL)
Patient Max. Weight.

Annex A Periodic inspection

A.1 Periodic inspections should be carried out according to the time frame recommended by the manufacturer, or at least once a year. The periodic inspection comprises a visual inspection, especially of the wheelbase structure, hoist mechanism, brakes, turning points, security devices and patient aids, as well as a function test and normal maintenance, e.g. brake adjustment, tightening of screws, etc.

Each inspection must include one (1) lift with maximum load.

A.2 Periodic inspection must be carried out by a suitably qualified person with knowledge of the construction, use and maintenance of the equipment.

A.3 All-important security observations must be entered in a logbook to be kept by the person(s) responsible for servicing/maintenance of the chair.

The date measures are taken in reaction to the observations should also be noted in the logbook.

A.4 Date and result of the inspection should be entered in the logbook and signed by the inspector.

A.5 In case of fault, wear or other damage that threatens the security of the chair, the owner should be informed immediately. In the case of evident security risk, the chair should be withdrawn from use immediately. The chair must not be used until the fault is rectified.

A.6 Any damage threatening security of the chair that occurs between inspections and which has already been corrected should be entered in the logbook.

A.7 Faults and damage should be reported to the manufacturer/dealer. This feedback must be entered in the logbook. Annex A

Operating Manual

Day Care Chair

2-2017

Annex B Daily inspection before use

Nr.	Check	Remarks
1	<ul style="list-style-type: none">All parts in place, no loose parts	
2	<ul style="list-style-type: none">No electrical defects, actuator, cables	
3	<ul style="list-style-type: none">No abnormal noise from actuator or control box	
4	<ul style="list-style-type: none">No rust or surface damage	
5	<ul style="list-style-type: none">No visual or other damage	
6	<ul style="list-style-type: none">Wheel and brake function	
7	<ul style="list-style-type: none">Check bolts and mounted parts are properly fixed on chair as well as accessories, in order to prevent undue slackness and spaces	

Daily cleaning

Remove hair and dust around the wheels.
Clean chair with a damp cloth.

Clarification:

The chair should be cleaned with cleaning or disinfection liquid, using a brush or sponge, and thereafter washed. Dry thoroughly after wash.

Concentrated disinfection liquid must not be used.

100% chlorine solution must not be used.

Automatic wash machines must not be used.

For cleaning of wheels, corrosion-free liquid must be used.

The mattress should be cleaned on both sides with a damp cloth and soap.



Warning!
High pressure cleaner must not be used



Warning!
Steam cleaning must not be used



Warning!
Machine wash must not be used

Operating Manual Day Care Chair

2-2017

Annex C Recommended annual service inspection

Date:		Product ID/serial no.:
Carried out by:		
Service at:		

No.	Check	Remarks
	Visual check of product	
1	- wear	
2	- distortion	
3	- general damage	
4	- rust	
5	- stability no loose parts	
6	- wheels running easily	
7	- wheel lock functioning	
8	- check bed guard for wear	
9	- check mattress for holes, dirt or damage	
10	- check remote control	
	Lift motor/actuator	
11	- raise chair to maximum to ensure it stops	
12	- actuator/lift motor to be replaced after 11.000 cycles or min. every 5 years	
13	Check all functions with normal use (full load, complete cycle)	

Operating Manual Day Care Chair

2-2017

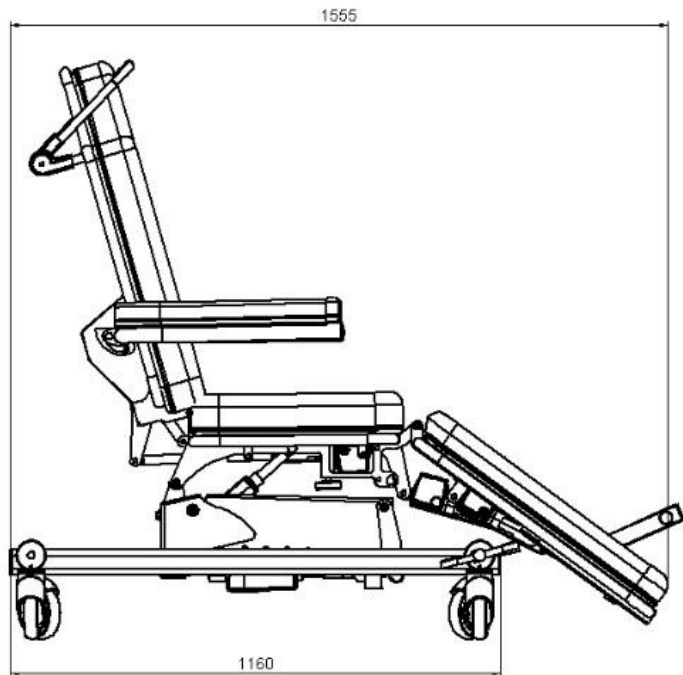
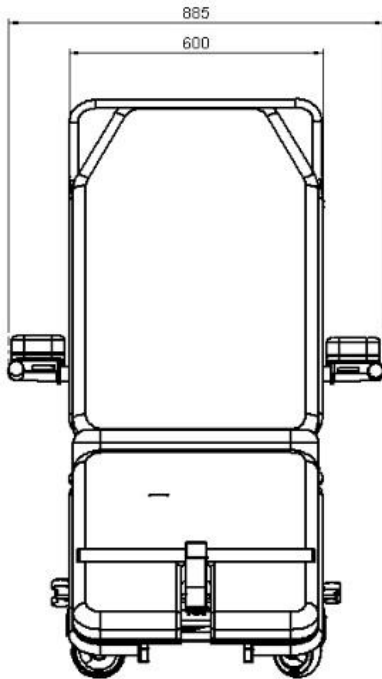
	Electrical parts/connections	
14	Check all cables for wear	
15	Check all cables to ensure they will not be damaged during use	
16	Check all cables are free of damage	
17	Check all electrical parts are equipped with readable labels.	
18	Check battery and control boxes for wear and tear	
	Other	
19	Clean and lubricate as necessary	
20	Label with date of next inspection	
21		
22		

Date: _____ Initials/signature: _____

**The yearly inspection can be electronically registered in the service logbook at Rehab-Care dk ApS.
Contact Rehab-Care dk ApS for further information.**

Annex D Drawings

D1.Drawing – Chair

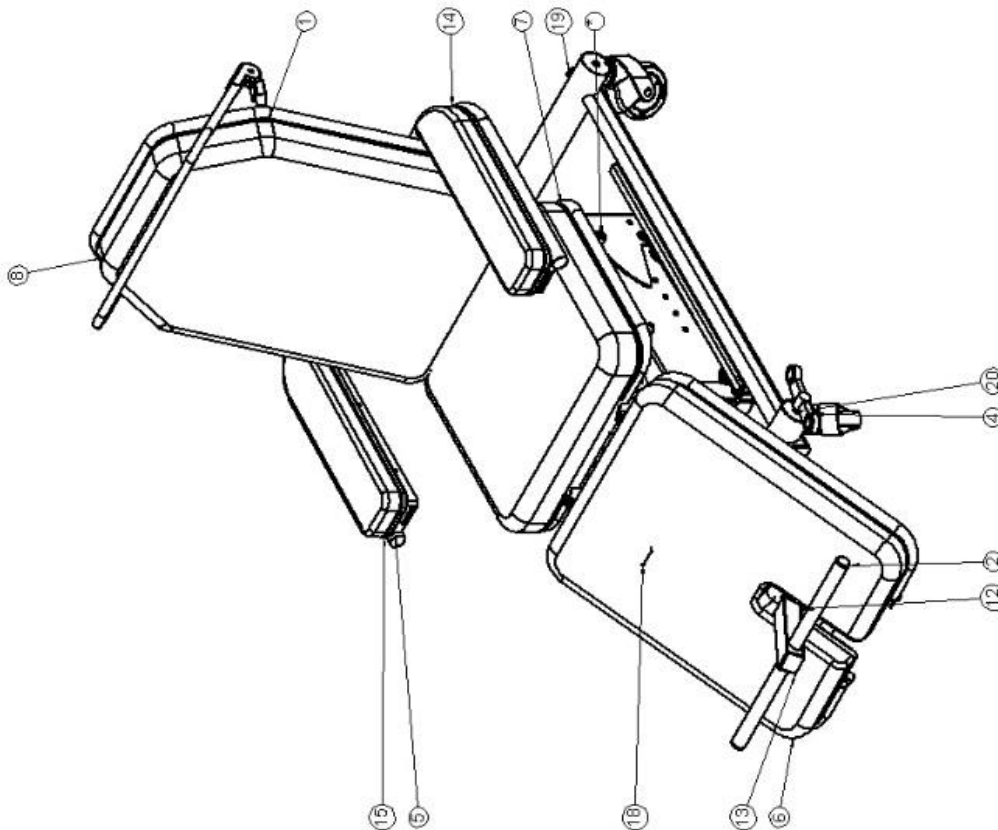


Operating Manual Day Care Chair

2-2017

Annex E Spare parts list

ITEM NO.	PART NUMBER	Description	Flad/QTY.
1	DSL20000	Day care stol	1
2	ø30 prop	ø30 plastprop	2
3	Pedal-højle	Bremsepedal	1
4	Pedal-venstre	Bremsepedal	1
5	Prop ø35-3	Plast prop	3
6	DSLHynde-ben	Hynde ben	1
7	DSL-Hynde-sæde	Hynde sæde	1
8	DSLHynde-ryg	Hynde ryg	1
9	Mønstret ø55-M10		1
10	Lindak HB forløbanger	Service stik	1
11	PX0885 app-stik	Net stik run	1
12	DSL-2411	Fod tviler	1
13	60X30 PRO-P-01	Plastprop	1
14	DSLHynde-arm-2		1
15	DSLHynde-arm-venstre-2		1
16	App-stik-han		1
17	DSL-2411		1
18	DSL-2412		1
19	60X30 Flad oval	Plastprop gra 60X30 F-oval	4
20	L-3000-11	Lukkeplade ved bremse	4



Rev	Date	Titel	
A	26-11-14	revst	
		Scale: 1:8	
Description: Day Care stol komplet		Page: A3	
		Sheet: 5 of 2	
Service Treatment:		Color:	
Brand: vis	Issue Date: 12-01-17		
Weight: 10070041	Size: -	Material:	
		Drawing No.: DSL-25000	Rev: A
Made in China 2017			

Operating Manual Day Care Chair

2-2017

Annex F Troubleshooting

No.	Fault	Possible cause	Solution
1	Malfunction	Is power plug on?	Switch on
2	Malfunction	Are all plugs pressed firmly in?	Press plug in firmly
3	Malfunction	Is there visible damage to cable?	Replace cable
4	Malfunction	Battery	Replace with fully charged battery

Contact dealer if the chair is not functioning correctly.

A defect chair must not be used.