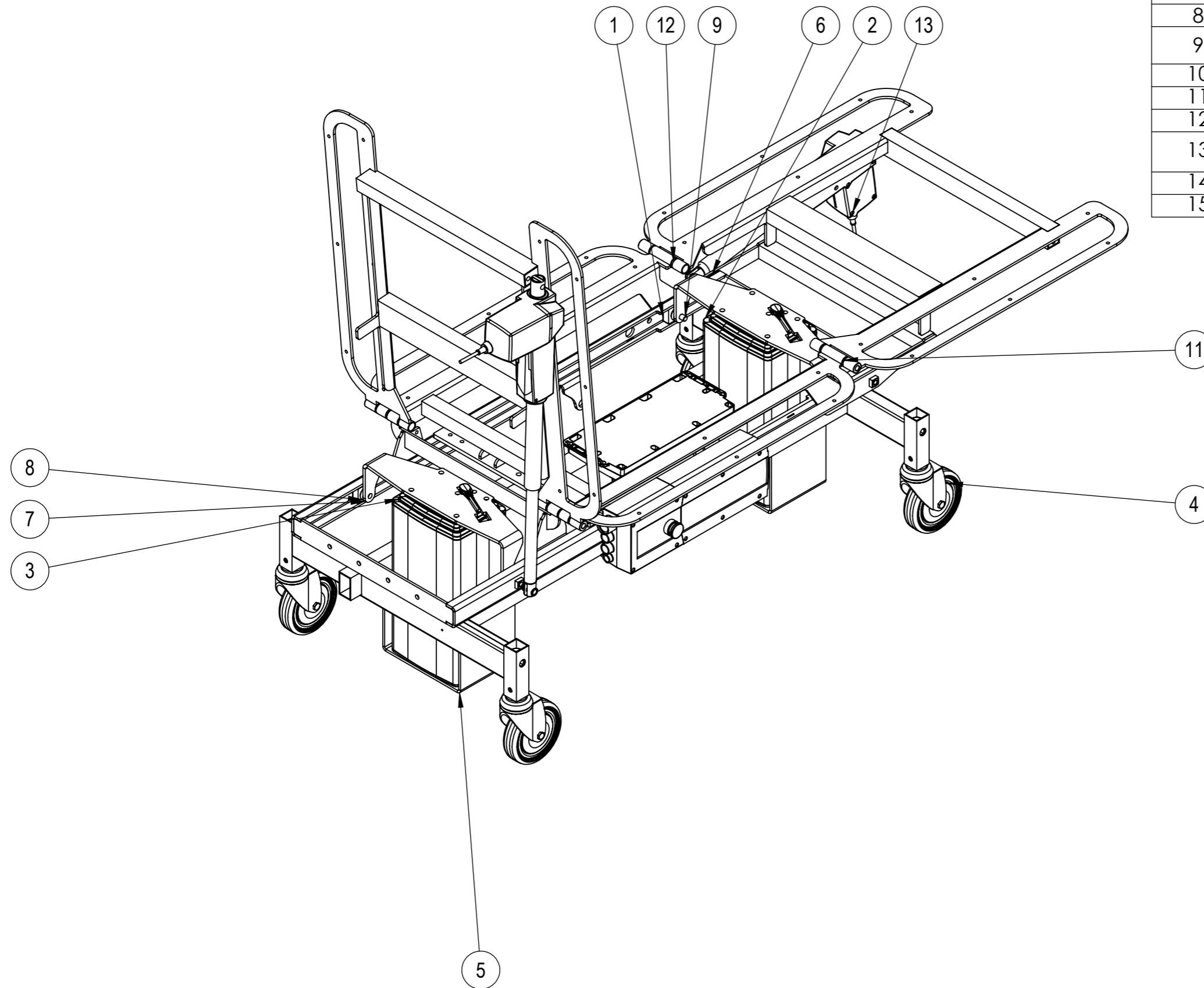
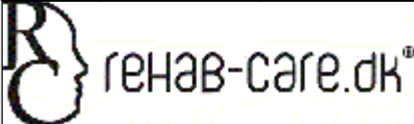



ITEM NO.	PART NUMBER	Description	QTY.
1	L53-H	Glideklods	4
2	BL1-400-V	Søjle motor MOT-61	1
3	BL1-400		1
4	2474DYK125R26-28S45	Hjul 125mm	4
5	L1-B-SØ	Hjulramme søjle	1
6	W6-1000	Topramme	1
7	SØ3	Top plade til søjle	2
8	SØ3-1	Aksel for klods	4
9	DIN 912 M10 x 40 --- 40N		1
10	SØ101-polst	Hynder for 3-delt 2 ryg	3
11	SØ30	Top midt ramme	1
12	SØ34	Top ramme ende	2
13	LA31 bund 200-ryg-2	Linak motor MOT-08	2
14	CU20	CU20 styring	1
15	Jumbo	CBJ styring	1



Rev	Date	Note
		Scale: 1:8 Paper: A3 Sheet 1 of 1
Description: 3-delt leje søjle 3x70cm		
Surface treatment:		Color:
Drawn By: MG	Drawn Date: 17-12-15	
Weight: 98432.91	State: - ok	Material:
 Tolerances ISO 2768-mK		Drawing No.: SØ40000 Rev.