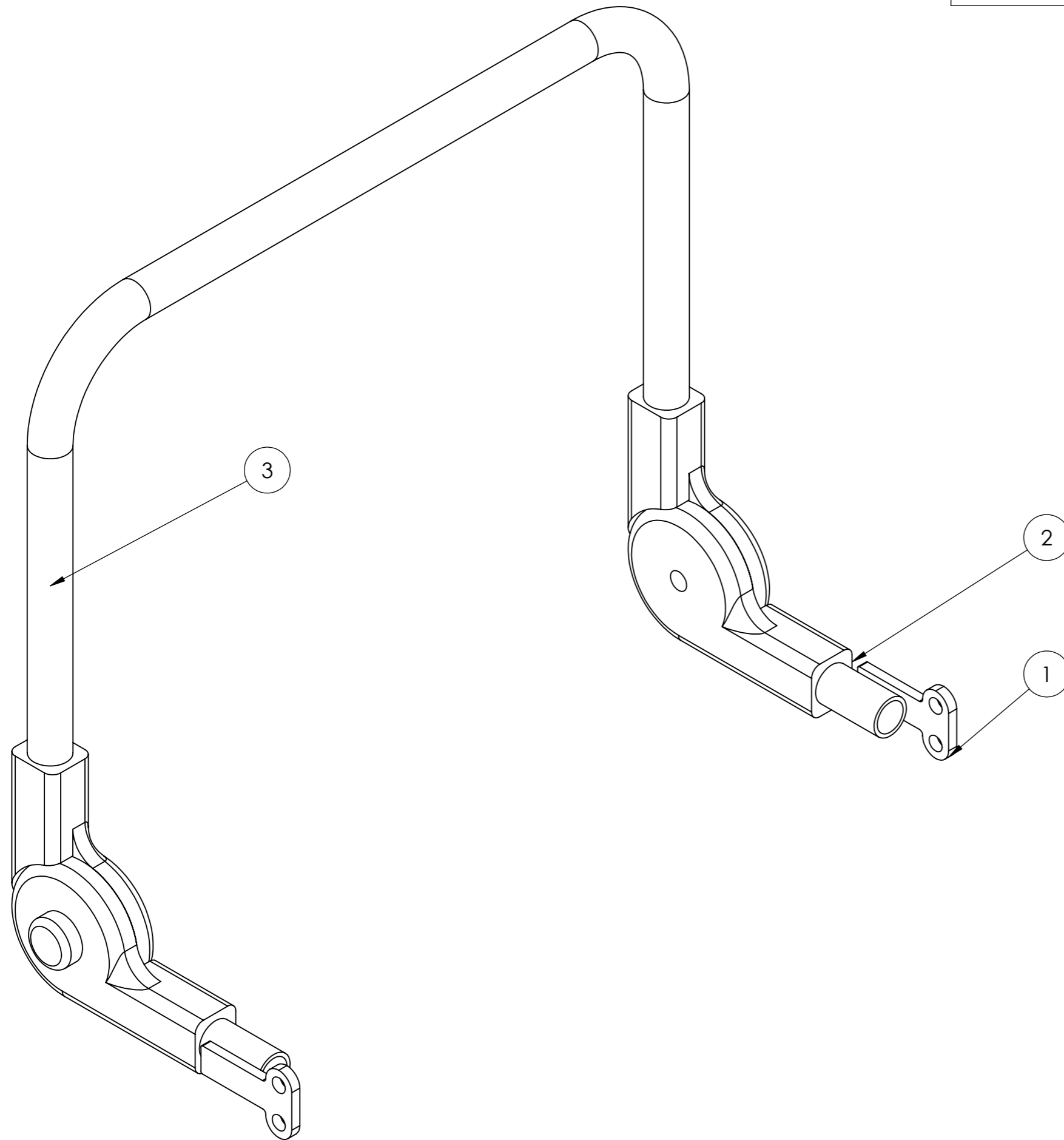




ITEM NO.	PART NUMBER	Description	QTY.
1	TS-4570	Ophæng skubbebøjle	2
2	U-SCHV-20	Knæled	2
3	ts-7023	Skubbe håndtag tb-stol	1



Rev	Date	Note

 rehab-care.dk <small>Avnvej 10 -7400-Herring Denmark WWW.rehab-care.dk</small>	Scale:	1:2
	Paper:	A3
	Sheet 1 of 1	
Description: Skubbebøjle justerbar		
Surface treatment:		Color:
Drawn By: MG	Drawn Date: 02-07-18	
Weight: 1064.46	State: - ok	Material:
 Tolerances ISO 2768-cl	Drawing No.: TS-10100	Rev.