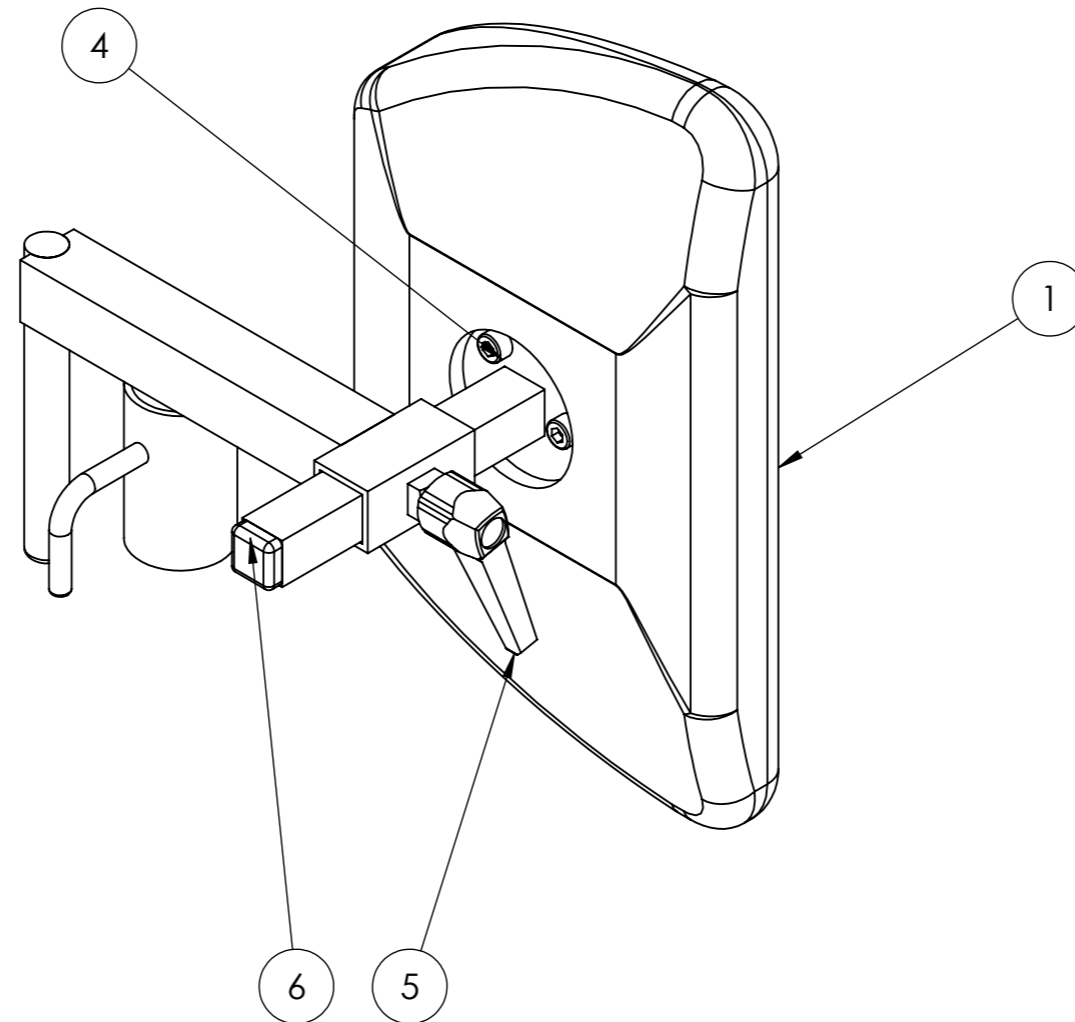




ITEM NO.	PART NUMBER	Description	QTY.
1	TST-2009	PU pude sidestøtte	1
2	ts-9860	Beslag for sidestøtte	1
3	ts-9850	Holder for sidestøtte, højre	1
4	DIN 912 M5 x 10 --- 10N		3
5	M6 greb	M6 greb	1
6	15x15 PROP	Plast prop	1



Rev	Date	Note

 rehab-care.dk <small>Avnvej 10 -7400-Herring Denmark WWW.rehab-care.dk</small>	Scale:	1:2
	Paper:	A3
	Sheet 1 of 1	
Description: Kropsstøtte komplet højre		
Surface treatment:		Color:
Drawn By: MG	Drawn Date: 08-01-20	
Weight: 1419.50	State: - ok	Material:
 Tolerances ISO 2768-cl	Drawing No.: TS-10300	Rev.