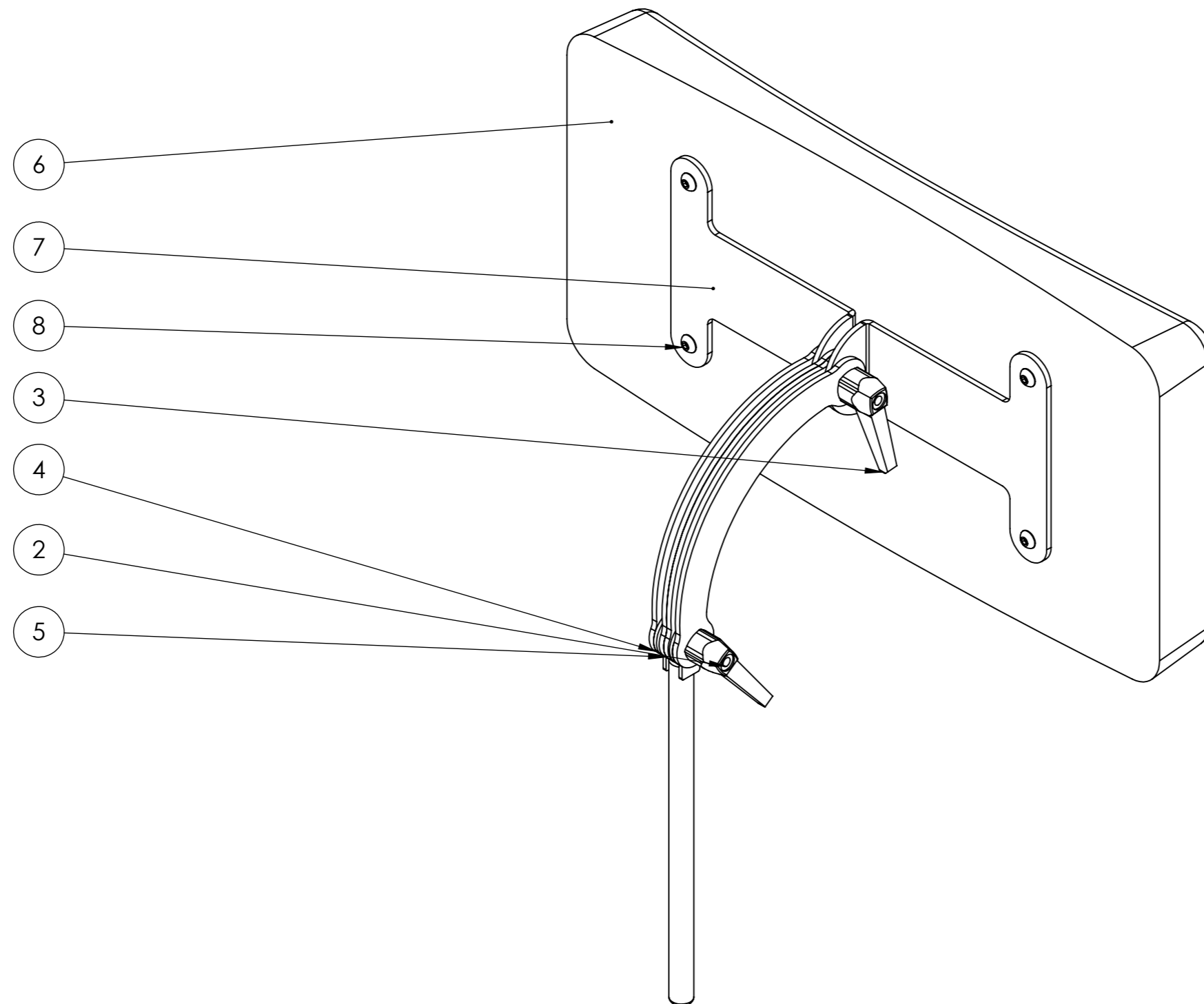





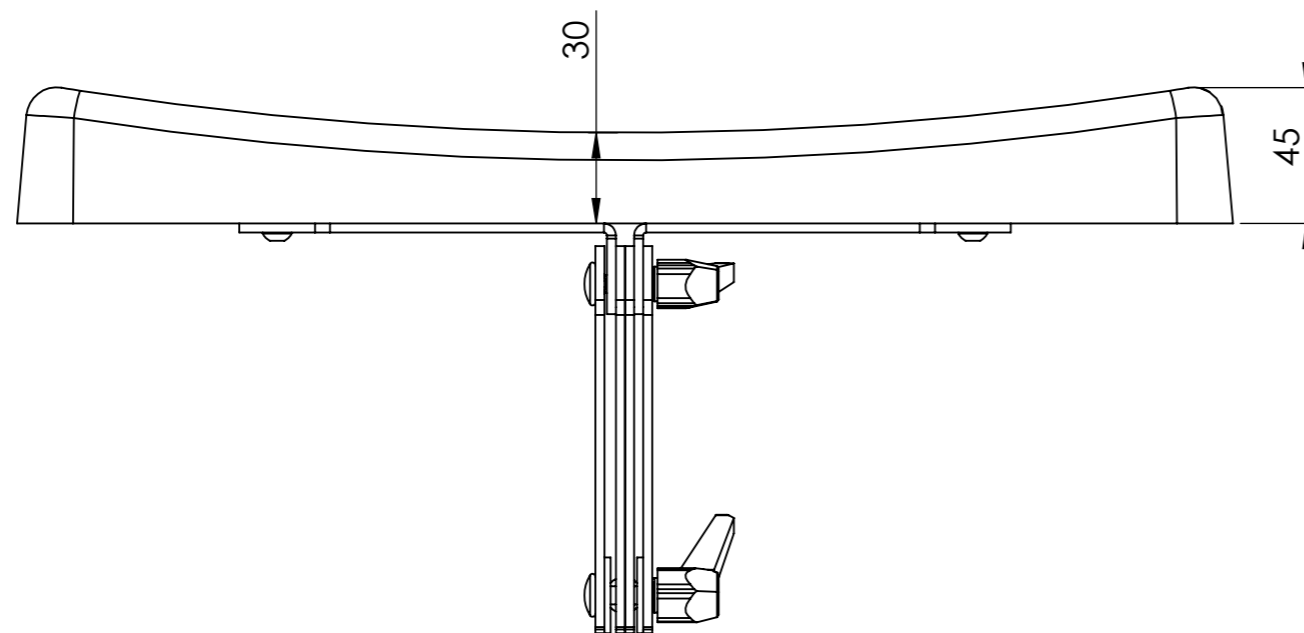
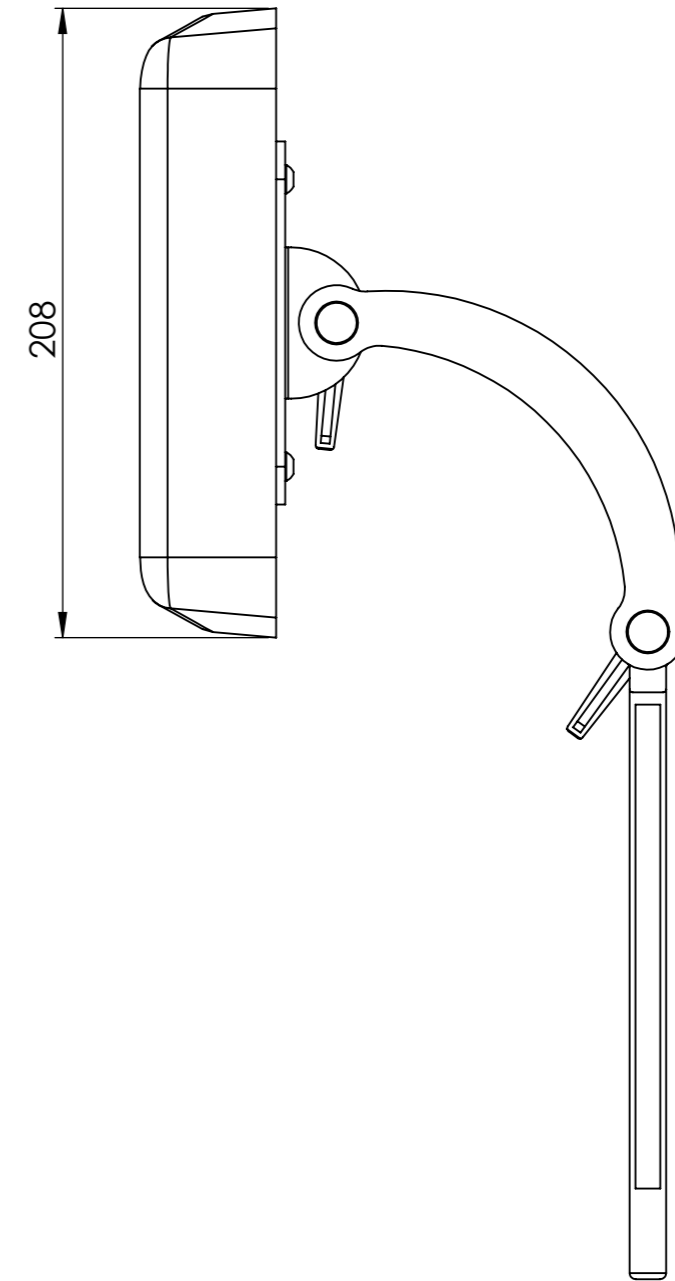
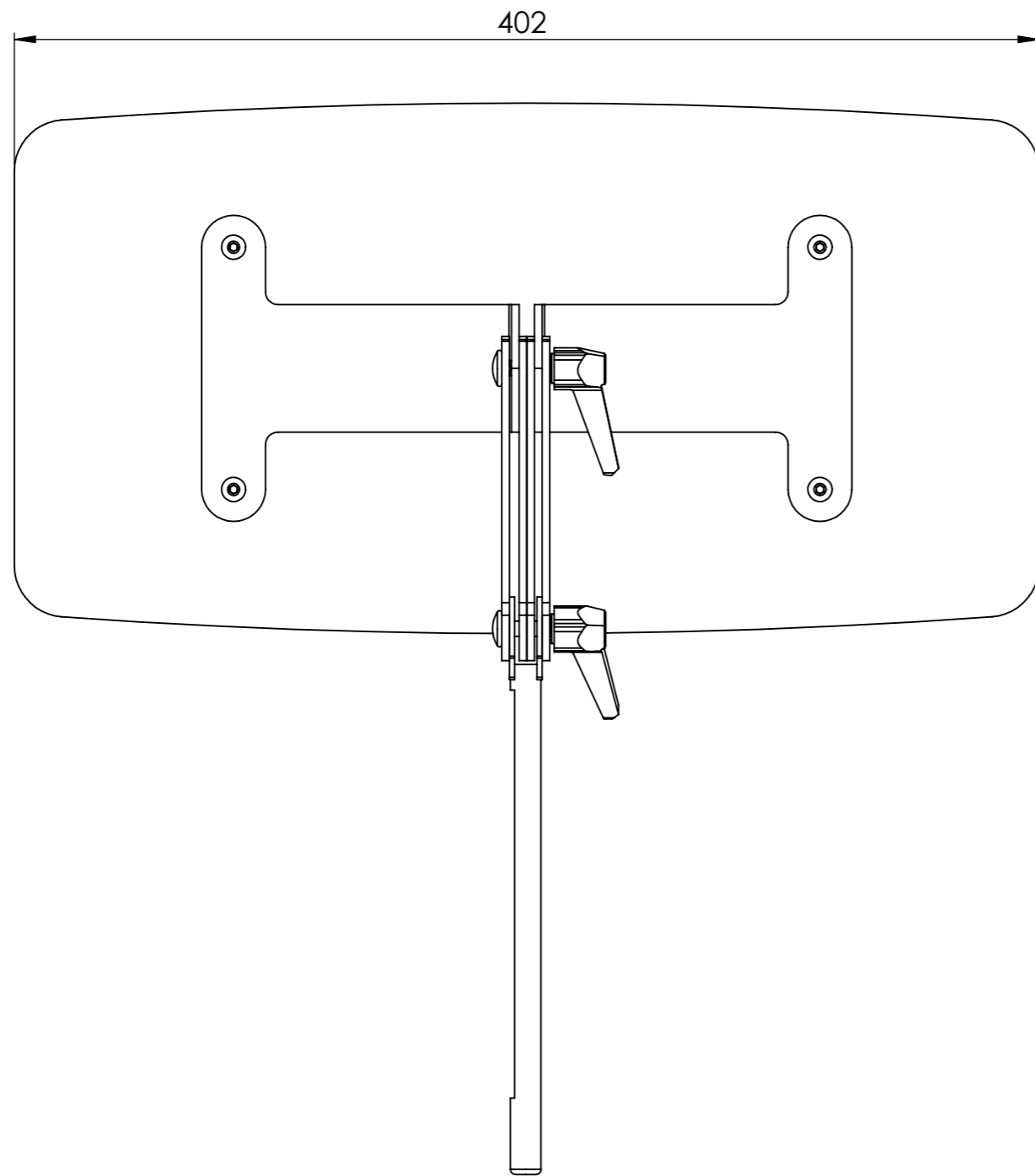
ITEM NO.	PART NUMBER	Description	QTY.
1	ts-9450	Holder til nakkestøtte	1
2	ISO 8678-M6x40-35-N		2
3	M6 greb	M6 greb	2
4	ts-7075	Nakke plade	1
5	ts-7098	Nakke plade rundhul	3
6	PU-RU-400-S	Rygpude	1
7	ts-6112	Nakke beslag	2
8	ISO 7380 - M5 x 30 - 30N		4



Rev	Date	Note

 <b>rehab-care.dk</b> <small>Avnvej 10 -7400-Herring Denmark WWW.rehab-care.dk</small>	Scale: 1:2.5	
	Paper: A3	
	Sheet 1 of 2	
Description: Nakke støtte bred komplet		
Surface treatment:	Color:	
Drawn By: MG	Drawn Date: 08-01-20	
Weight: 2337.30	State: - ok	Material:
 	Drawing No.: <b>TS-10550</b>	Rev.
Tolerances ISO 2768-cl		



 <b>rehab-care.dk</b> <sup>®</sup> <small>Avnvej 10 -7400-Herring Denmark WWW.rehab-care.dk</small>	Scale:	1:2.5
	Paper:	A3
Sheet 2 of 2		
Description: <b>Nakke støtte bred komplet</b>		
Surface treatment:		Color:
Drawn By: MG	Drawn Date: 08-01-20	
Weight: 2337.30	State: - ok	Material:
  Tolerances ISO 2768-cl	Drawing No.: <b>TS-10550</b>	
		Rev.