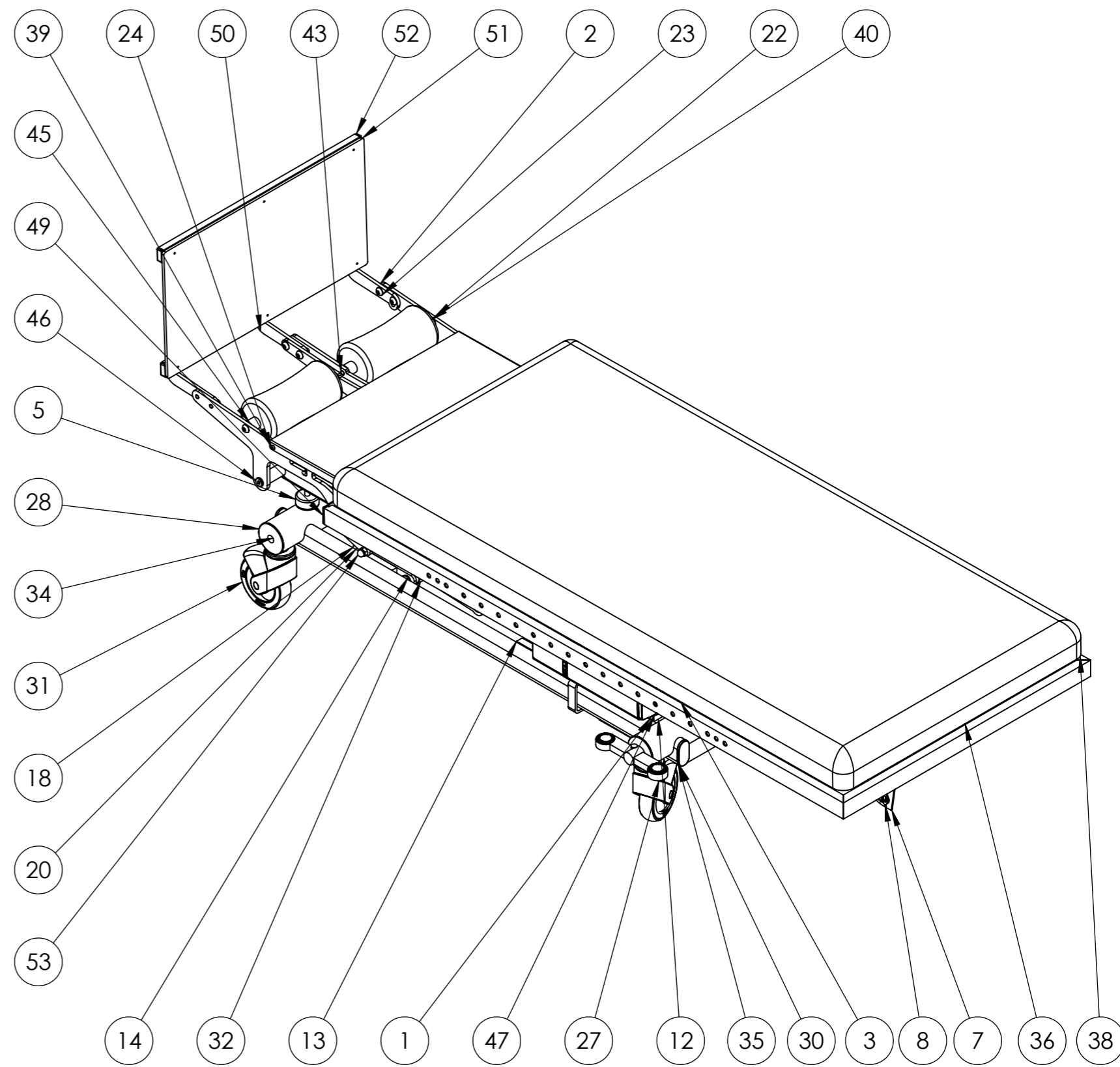



ITEM NO.	PART NUMBER	DESCRIPTION	QTY.
1	L53-H	Sliding block	4
2	VP2000		1
3	SE-4400		1
4	LA34-600 bund		1
5	Maskinsko ø55-M10		2
6	tgf-10-300-1200-sodemann		2
7	VP4010		1
8	VP4011		1
9	28x20x1.0 passkive		2
10	M5-VP	Indv. sakseben	1
11	0404001		1
12	M4	sissor outside Mobile	1
13	L-3000		1
14	L45	Plastbøsning	4
15	Top-LA40-250		1
16	L6-A	Løftelaske	2
17	L16-2	Afstandsør L=11,2	4
18	L-3000-03		2
19	SKA28-1		2
20	ISO 7380 - M12 x 30 --- 30N		4
21	ISO 7380 - M8 x 20 --- 20N		4
22	ISO 7380 - M10 x 25 - 25N		2
23	ISO 7380 - M10 x 16 - 16N		6
24	ISO 7380 - M5 x 10 - 10N		4
25	Hexagon Nut ISO - 4032 - M8 - W - N		1
26	L-3010-01		1
27	Pedal-højre	Bremsepedal	1
28	L-3000-50		4
29	Pedal-venstre	Bremsepedal	1
30	60X30 Flad oval		4
31	5444-46PJP125R36-34		4
32	L500		1
33	L42-20	Sekskantjern til bremse L=620mm	1
34	L42-10	Sekskantjern til bremse L=620mm	1
35	VP6300		1
36	F300		1
37	PS-5024		4
38	VP-polst-201		1
39	VP2021		1
40	65517		2
41	DIN 912 M8 x 12 --- 12N		4
42	DIN 912 M10 x 50 --- 32N		2
43	DIN 912 M10 x 45 --- 32N		2
44	DIN 912 M10 x 40 --- 40N		2
45	VP4034		4
46	M10-K-spec-bolt	Bolt M10 m/bryst Kort	2
47	Lift50-Series	NOT SPECIFIED	1
48	Pin-ø10-47	Pin 47	2
49	40X20 PROP	Rørprop	2
50	VP4900		1
51	VP4036		1
52	30X15 PROP	Rørprop	4
53	DIN 1587 - M10 --NNU		4
54	Hexagon Nut ISO 4034 - M10 - N		4
55	L16-6	Montagebøsning	2
56	Circlip DIN 471 - 10 x 1		4



Rev	Date	Description
		Scale: 1:10
		Paper: A3
Sheet 1 of 1		
Description: Vippeleje fast fodplade		
Surface treatment:		Color:
Drawn By: MG	Drawn Date: 02-06-23	
Weight: 195461.54	State: - ok	Material:
 Tolerances ISO 2768-cl		Drawing No.: <b>VP40000</b>
		Rev.