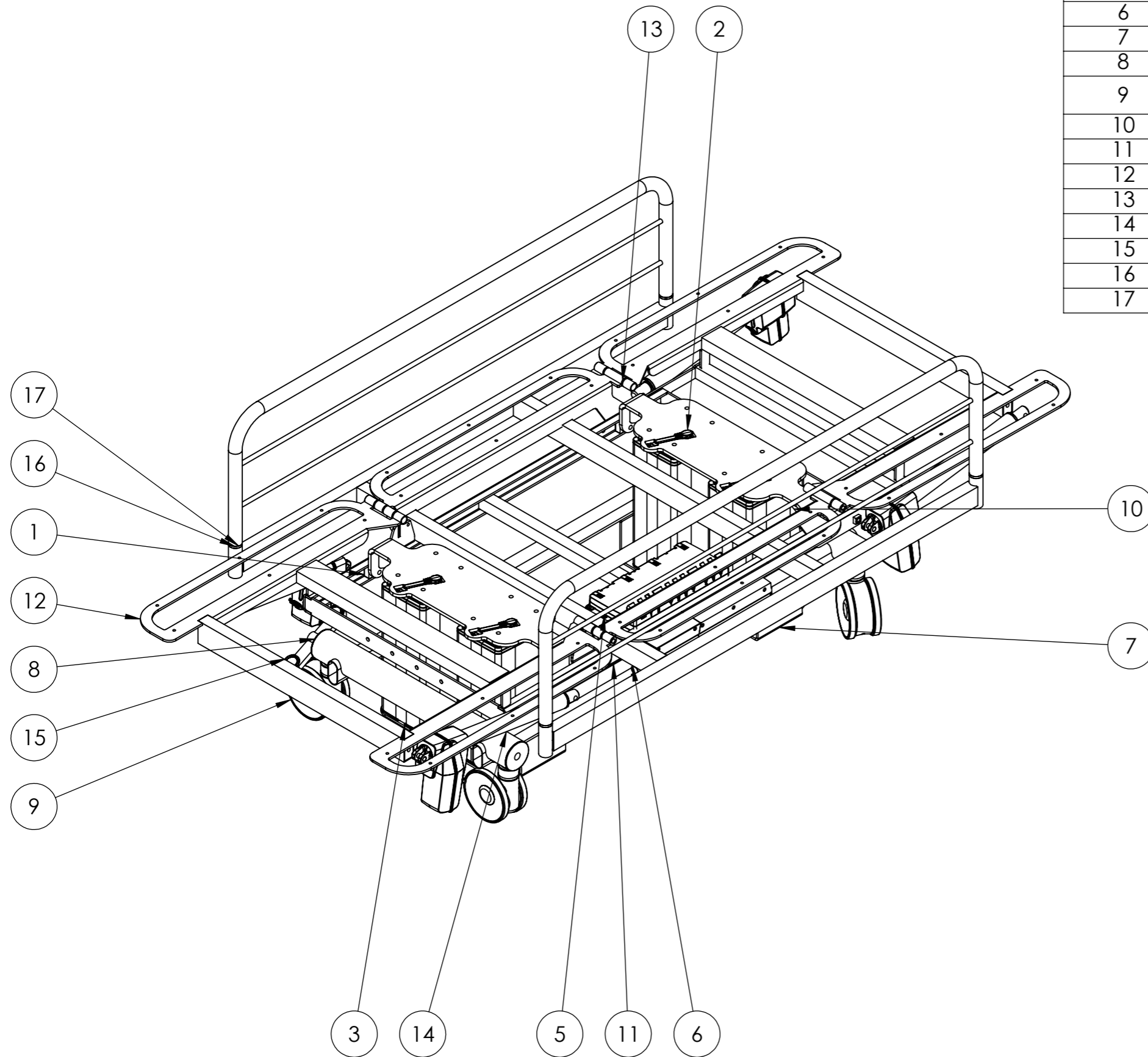
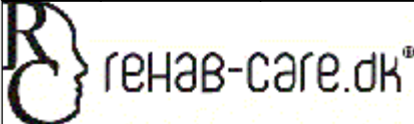



ITEM NO.	PART NUMBER	Description	QTY.
1	L53-H	Glideklods	4
2	BL1-400-V	Søjle motor MOT-61	2
3	BL1-400	Søjle motor MOT-61	2
4	SØ3-1	Aksel for klods	4
5	CU20	CU20 styring	1
6	Jumbo	CBJ styring	1
7	L-9000	Bundramme søjle 400kg	1
8	L-3000-50	Hjul holder	4
9	5944UAC150R36-32S30OH175		4
10	SØ9	Topplade for søjle	2
11	W6-2000	Topramme 400kg.	1
12	SØ34-90	Top ramme ende 90cm	2
13	SØ30-90	Top midt ramme 400kg	1
14	LA40-180	Rygmotor MOT-80	4
15	Pedal-højre	Bremsepedal	1
16	SØ36	Sengehest	2
17	9903	Dorn for sengehest	4



Rev	Date	Note
		Scale: 1:10 Paper: A3 Sheet 1 of 1
Description: 3-delt leje søjle 90cm 400kg.		
Surface treatment:		Color:
Drawn By: MG	Drawn Date: 05-12-17	
Weight: 123452.50	State: - ok	Material:
 Tolerances ISO 2768-cl	Drawing No.: SØ80000	Rev.