

Quick guide:

Dato. 15/5-17

1. Up and down chair.

Height adjustment seat, up and down.

2. Overload indicator.

Indicator light, when over loaded.

3. Seat-tilt front and back.

Seat angle adjustment.

3a. Emergency lowering, hold both buttons.

Sequence: 1) seat down, 2) seat angle to level.

Only to be used at buttons error.

4. Emergency stop.

Stop of all functions, flashing diodes when activated.

NOTE! Reset by holding the button down 3 sec.

5. Battery indicator.

Level of battery power.

3 diodes on = fully charged.

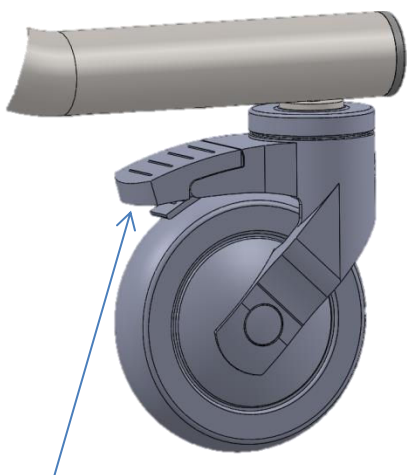
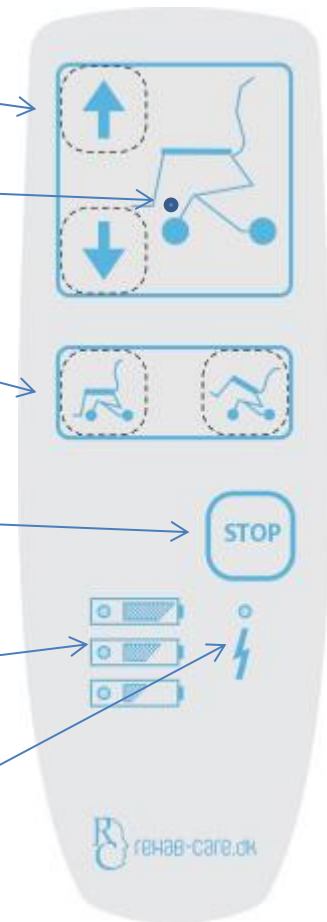
Light and sound signal.

NOTE! At low level power can the chair only return.

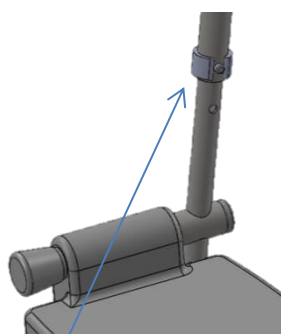
6. Charger indicator.

Control of battery and showing when charging.

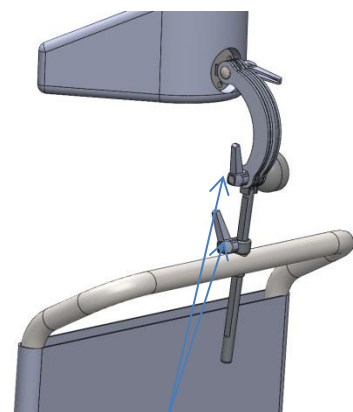
NOTE! The chair cannot be operated when charging.



Wheel brake



Foot rest lock



Neck support