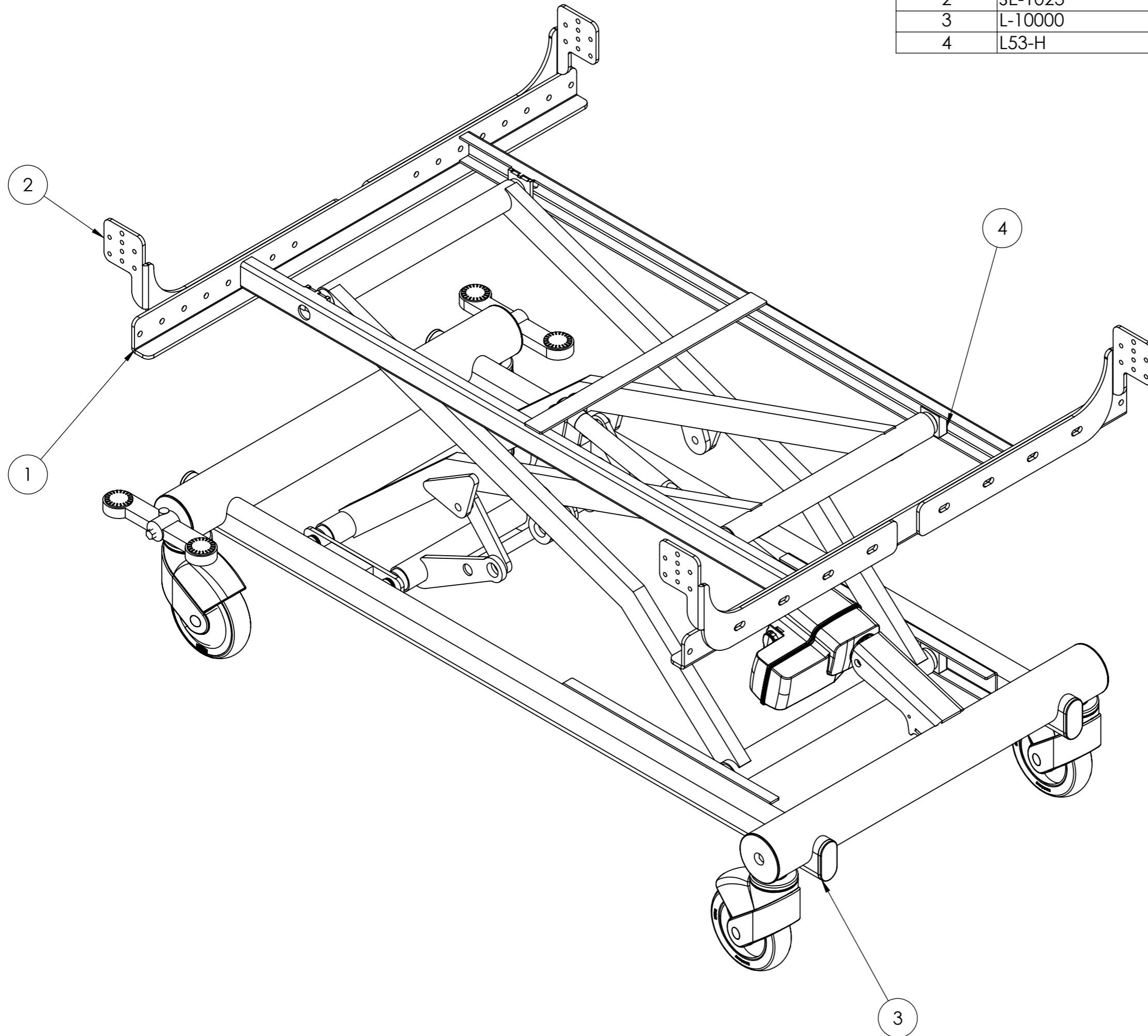





ITEM NO.	PART NUMBER	Description	QTY.
1	SE-4100	Topramme sengeløfter	1
2	SE-1023	Sengebeslag til C-R	4
3	L-10000	Hjulramme delsamling	1
4	L53-H	Glideklods	2



Rev	Date	Note

 rehab-care.dk <small>Avnvej 10 -7400-Herring Denmark WWW.rehab-care.dk</small>	Scale: 1:5
	Paper: A3
	Sheet 1 of 1
Description: Sengeløfter med centralbremse	
Surface treatment:	Color:
Drawn By: MG	Drawn Date: 03-08-17
Weight: 40998.35	State: - ok
Material:	
  Tolerances ISO 2768-cl	Drawing No.: SE-15000
	Rev.