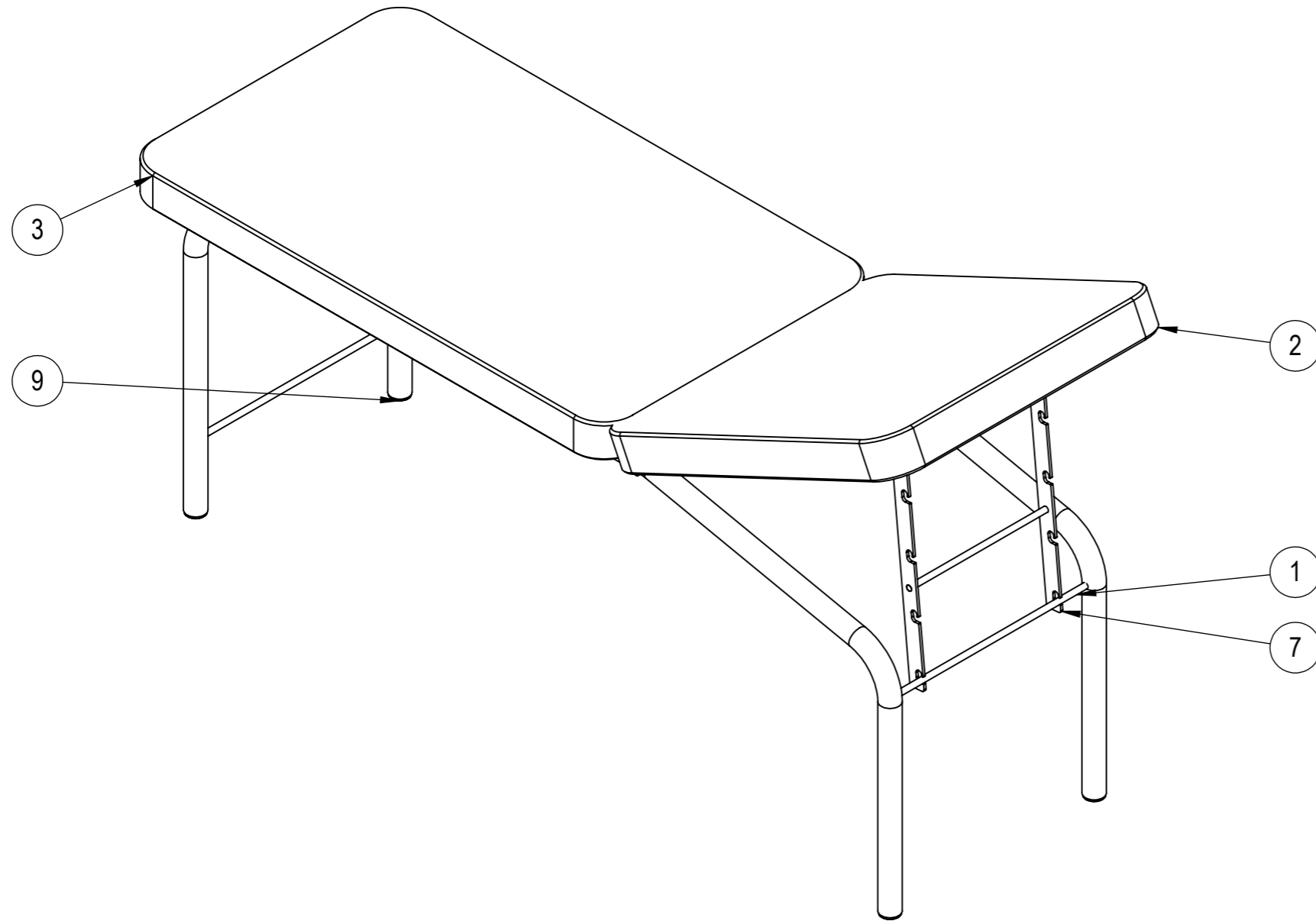



ITEM NO.	PART NUMBER	Description	QTY.
1	B-10000	Ramme for fastleje	1
2	CG8	Ryg del hynde	1
3	U-11	Ben-del hynde	1
4	B-1001	beslag for hynde	2
5	L40	Bøsning plast	4
6	B-1002	Aksel for ryg	1
7	B-12000	Stop beslag	1
8	B-1005	Aksel for ryg	1
9	ø40 prop	Plast prop ø40	4



Rev	Date	Note


 rehab-care.dk <small>Avnvej 10 -7400-Herring Denmark WWW.rehab-care.dk</small>	Scale: 1:10
	Paper: A3
	Sheet 1 of 2

Description: **Fast leje**

Surface treatment: _____ Color: _____

Drawn By: MG Drawn Date: 02-09-19

Weight: 129821.41 State: - ok Material: _____

 Tolerances ISO 2768-cl	Drawing No.: B-11000	Rev.

