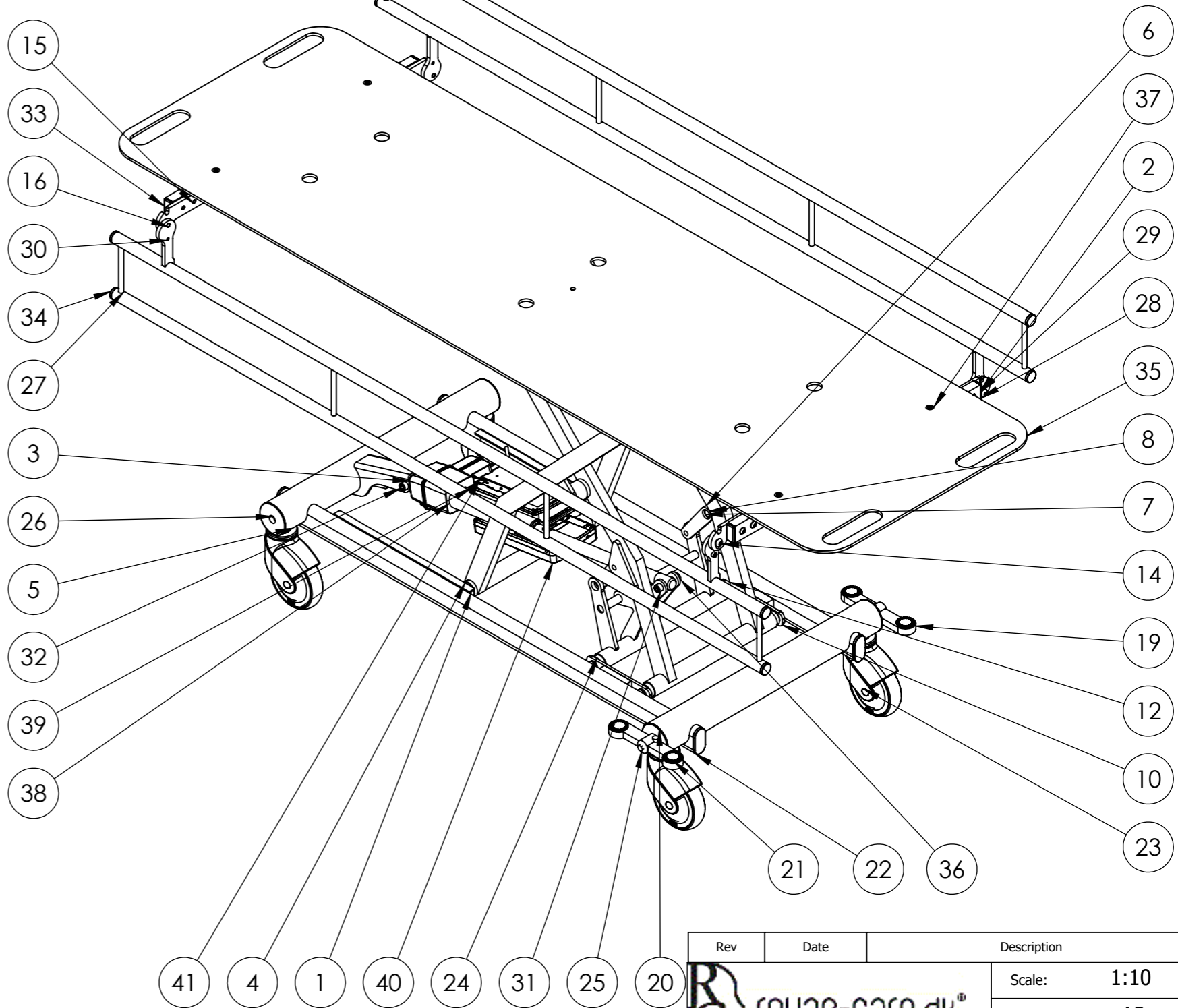
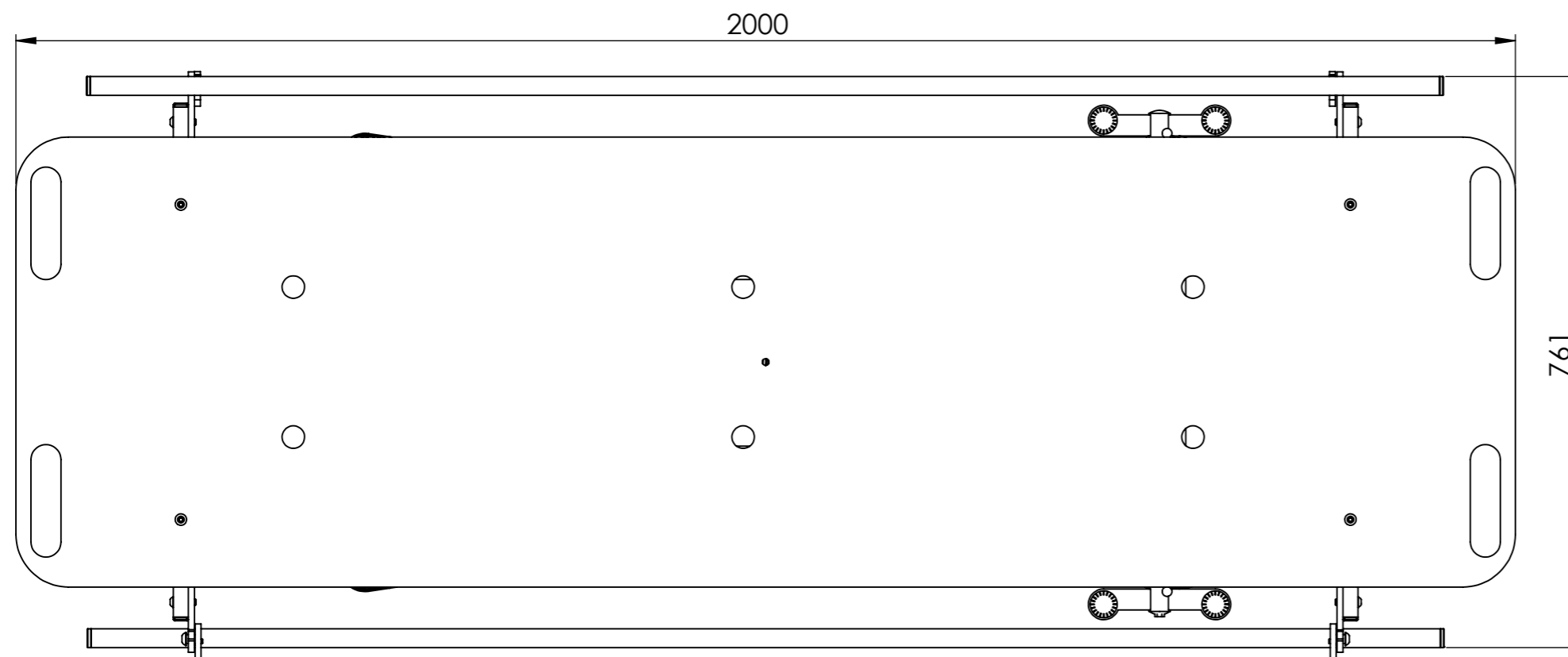
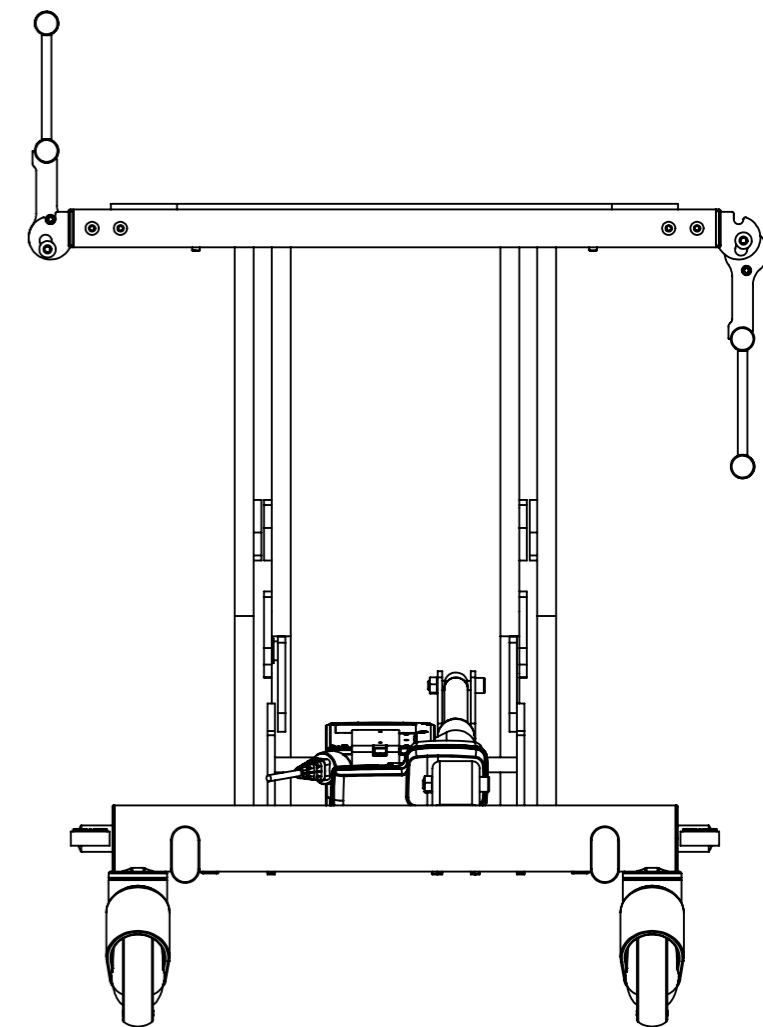
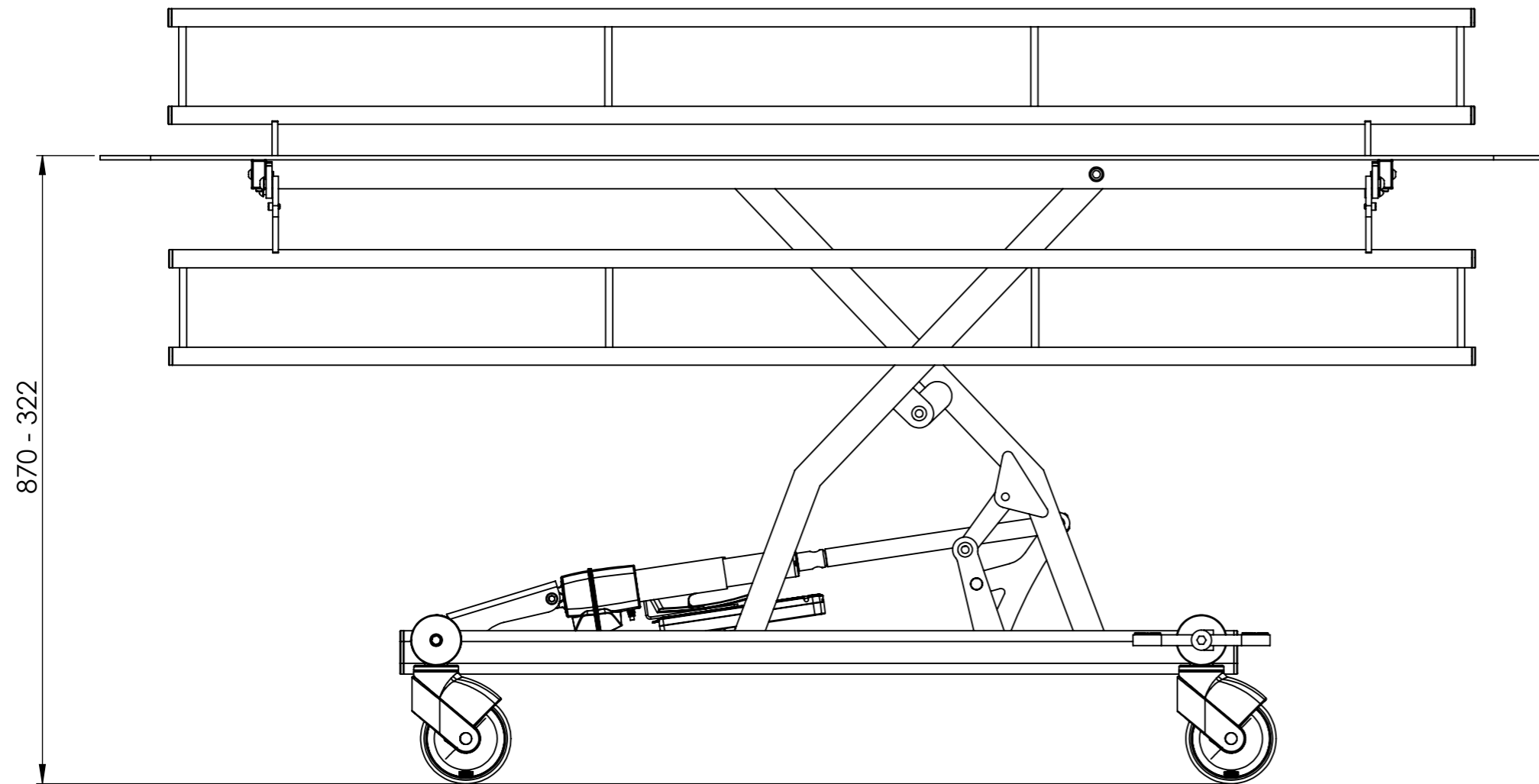




ITEM NO.	PART NUMBER	desc1	QTY.
1	L53-H	Glideklods	4
2	B2-700	Bobath topramme 700	2
3	MOT-38	Løftemotor MOT-38	1
4	M4	Saks udvendig	1
5	L-3000	Bundramme saks	1
6	M5	Saks indv.	1
7	L45	Plast bøsning	7
8	L6-A	Løfte laske	2
9	L16-2	Afstandsør ø16x13	4
10	L-3000-03	Forbindelsesplade saks	2
11	SKA28-1	Medbringer bremse	2
12	ISO 7380 - M12 x 30 --- 30N		4
13	ISO 7380 - M8 x 20 --- 20N		4
14	ISO 7380 - M10 x 20 --- 20N		1
15	ISO 7380 - M8 x 30 - 30N		8
16	ISO 7380 - M10 x 20 - 20N		3
17	Hexagon Nut ISO - 4032 - M8 - W - N		1
18	L-3010-01	Bremse stang	1
19	Pedal-højre	Bremsepedal	1
20	L-3000-50	Hjul holder	4
21	Pedal-venstre	Bremsepedal	1
22	60X30 Flad oval	Plastprop grå 60x30 f-oval	4
23	5444-46PJ125R36-34	Hjul ø125	4
24	L500	Løftetravers saks	1
25	L42-20	Bremsestang til pedal	1
26	L42-10	Bremsestang L=580	1
27	B2-1000-200	Sengehest for Bobath leje	2
28	B1-24	Sengehest beslag	4
29	L16-6	Afstandsør L10,5	4
30	DIN 912 M6 x 10 --- 10N		4
31	DIN 912 M10 x 50 --- 32N		1
32	DIN 912 M10 x 60 --- 32N		1
33	40X20 PROP	Plast prop	4
34	ø25 prop	Plast prop	8
35	BR1-100-transport	Top plade transport	1
36	Hexagon Nut ISO 4032 - M10 - W - N		2
37	ISO 10642 - M8 x 50 - 28N		4
38	1015W4002-LA40		1
39	CA40 kontrolboks		1
40	BA21	Batteri	1
41	L26-58	Holder for bat	1
42	1015w1004	Linak beslag for bat	1



Rev	Date	Description
		Scale: 1:10
		Paper: A3
Sheet 1 of 2		
Description: Transportleje med motor		
Surface treatment:		Color:
Drawn By: MG	Drawn Date: 27-02-19	
Weight: 77215.90	State: - ok	Material:
		Drawing No.: B100-70-transport-MOT
		Rev.



Rev	Date	Note
	09-06-16	ny bundramme

 rehab-care.dk [®] <small>Avnvej 10 -7400-Herring Denmark WWW.rehab-care.dk</small>	Scale:	1:8
	Paper:	A3
Sheet 2 of 2		
Description: Transportleje med motor		
Surface treatment:		Color:
Drawn By: MG	Drawn Date: 27-02-19	
Weight: 77215.90	State: - ok	Material:
 Tolerances ISO 2768-cl	Drawing No.: B100-70-transport-MOT	Rev.