

## 1. Up and down chair.

Height adjustment seat, up and down.

## 2. Overload indicator.

Indicator light, when overloaded.

## 3. Seat-tilt front and back.

Seat angle adjustment.

### 3a. Emergency lowering, hold both buttons.

Sequence: 1) seat down, 2) seat angle to level.

Only to be used at buttons error.

## 4. Emergency stop.

Stop all functions, flashing diodes when activated.

**NOTE! Reset by holding the button down 3 sec.**

## 5. Battery indicator.

Level of battery power.

3 diodes on = fully charged.

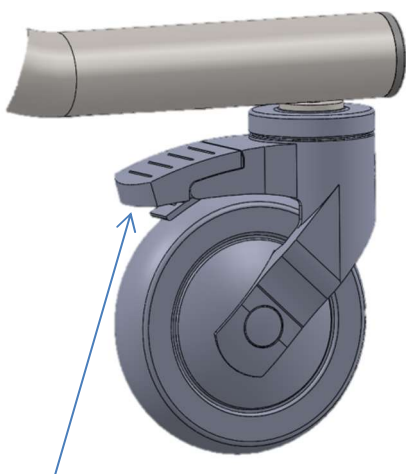
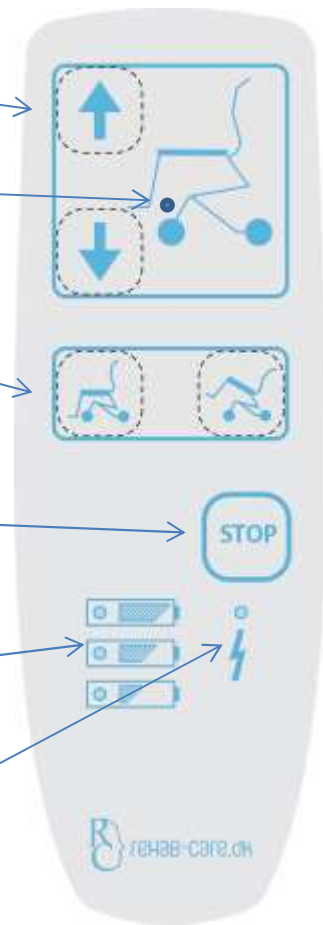
Light and sound signal.

**NOTE! At low level power can the chair only return.**

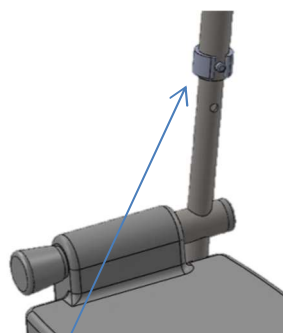
## 6. Charger indicator.

Control of battery and showing when charging.

**NOTE! The chair cannot be operated when charging.**



Wheel brake



Footrest lock



Neck support