

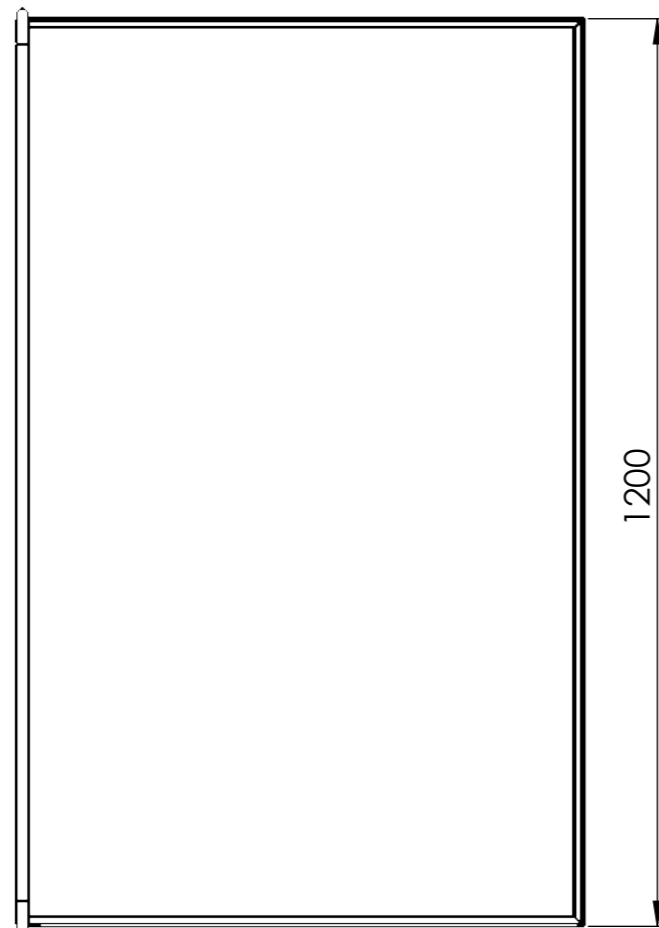
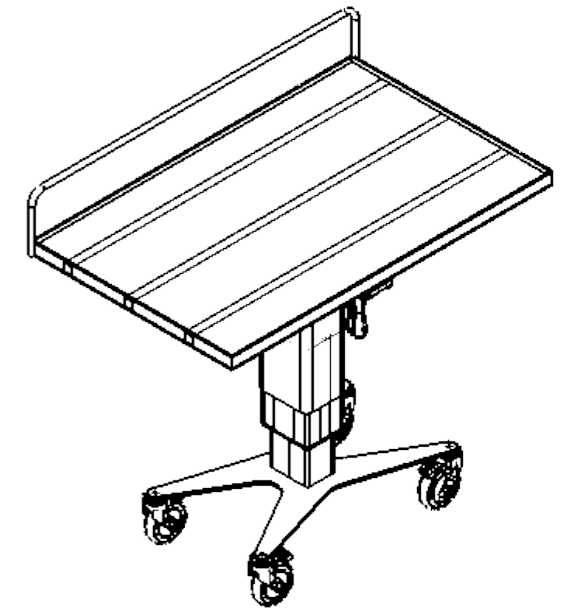
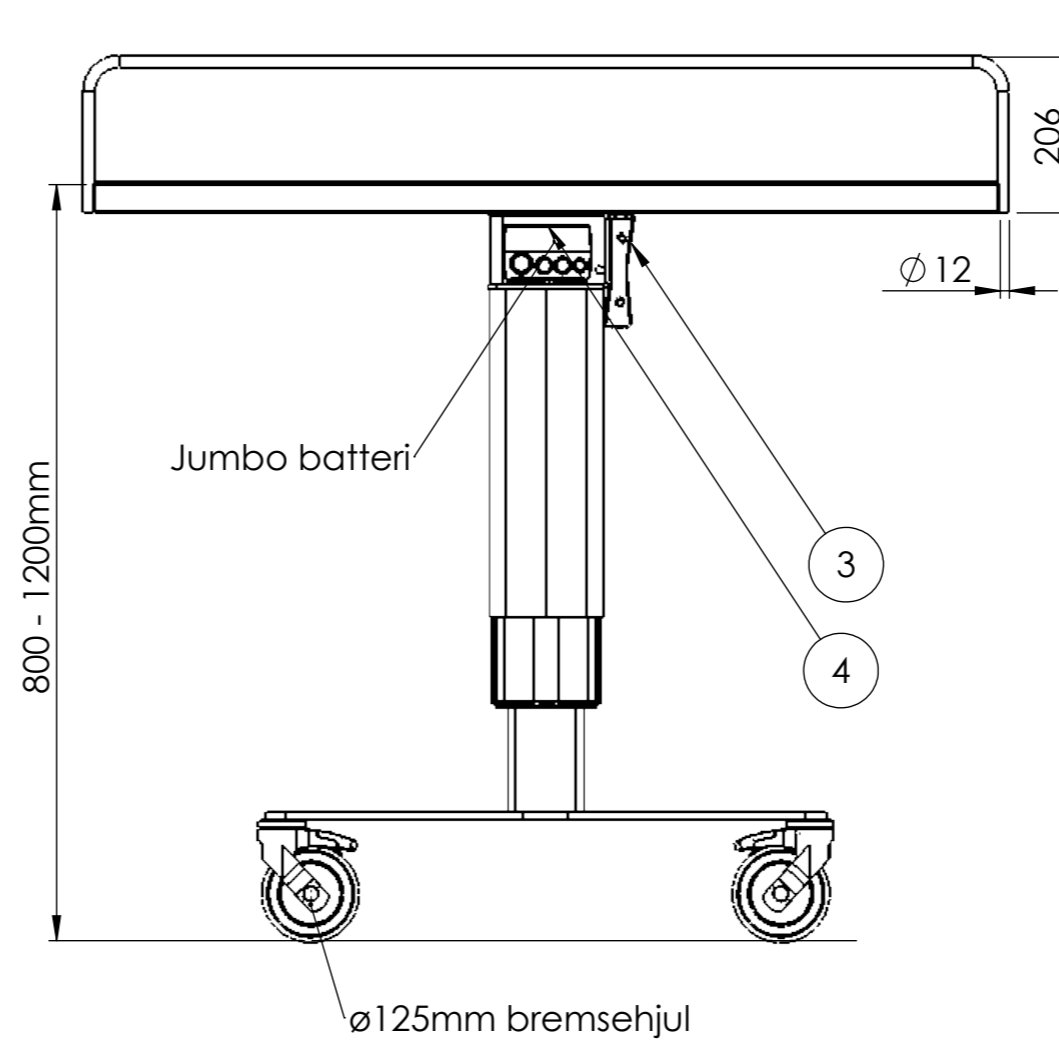
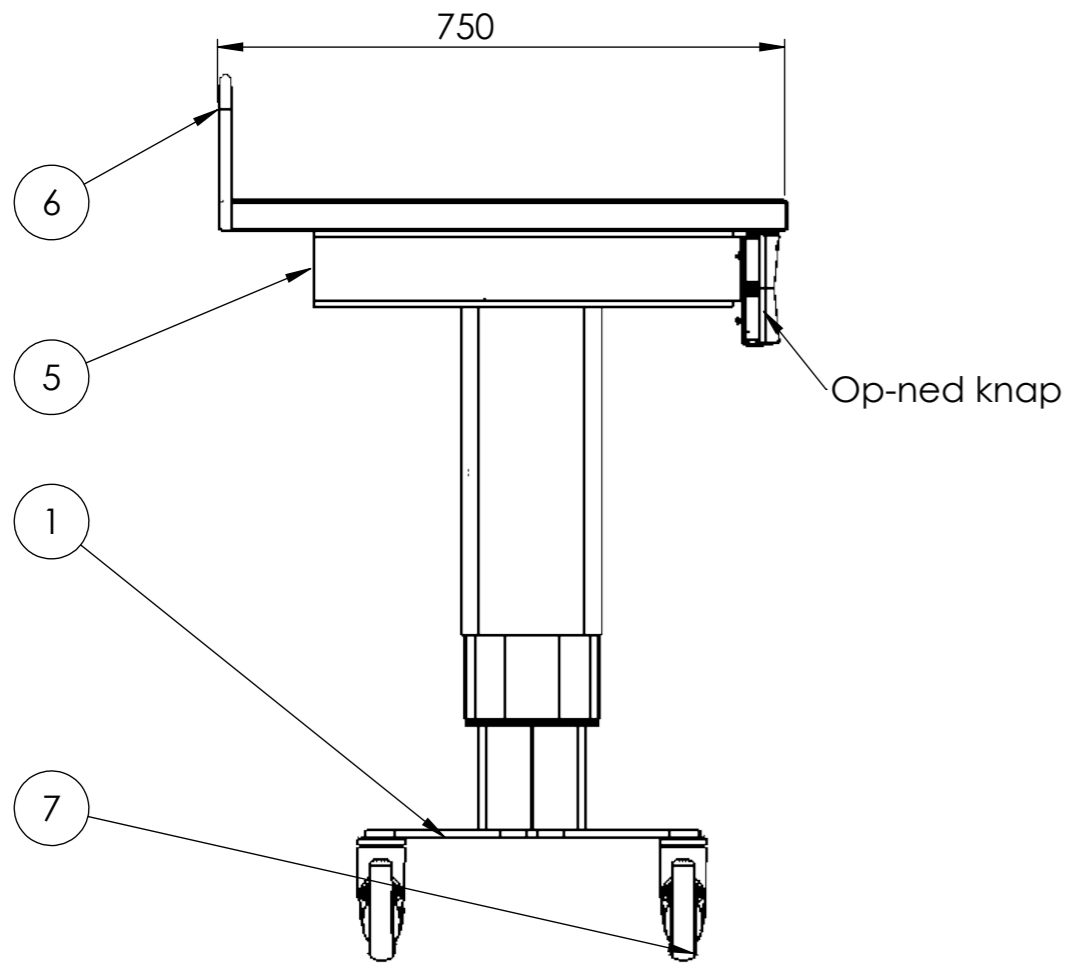


ITEM NO.	PART NUMBER	Description	QTY.
1	DRP-20200	Bag-bord hjulramme	1
2	BL1-400-02	Søjlemotor MOT-61	1
3	FS3-smal	Betjening	1
4	Jumbo	CBJ styring	1
5	DRP-790	ophæng bord	1
6	DRP-20100	Rustfri bordplade 1000x600	1
7	5377PJPT25P30-11 Levina	Ø125 hjul med bremse	4



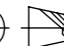
Rev	Date	Note

 rehab-care.dk <small>Avnvej 10 -7400-Herring Denmark WWW.rehab-care.dk</small>	Scale: 1:10
	Paper: A3
	Sheet 1 of 1
Description: Bord med motor 1000x600	
Surface treatment: _____ Color: _____	
Drawn By: MG	Drawn Date: 13-01-20
Weight: 53484.60	State: - ok
Material: _____	
 Tolerances ISO 2768-cl	Drawing No.: DRP-20000
	Rev. _____



ITEM NO.	PART NUMBER	Description	QTY.
1	DRP-20200	Bag-bord hjulramme	1
2	BL1-400-02	Søjlemotor MOT-61	1
3	FS3-smal	Betjening	1
4	Jumbo	CBJ styring	1
5	DRP-870	ophæng bord 750-bred	1
6	DRP-20300	Rustfri bordplade 1200x750	1
7	5377PJPT25P30-11 Levina	ø125 hjul med bremse	4

Rev	Date	Note

 rehab-care.dk <small>Avnvej 10 -7400-Herring Denmark WWW.rehab-care.dk</small>	Scale: 1:10
	Paper: A3
	Sheet 1 of 1
Description: Bord med motor 1200x750	
Surface treatment:	Color:
Drawn By: MG	Drawn Date: 13-01-20
Weight: 60605.45	State: - ok
Material:	
  Tolerances ISO 2768-cl	Drawing No.: DRP-21000
	Rev.