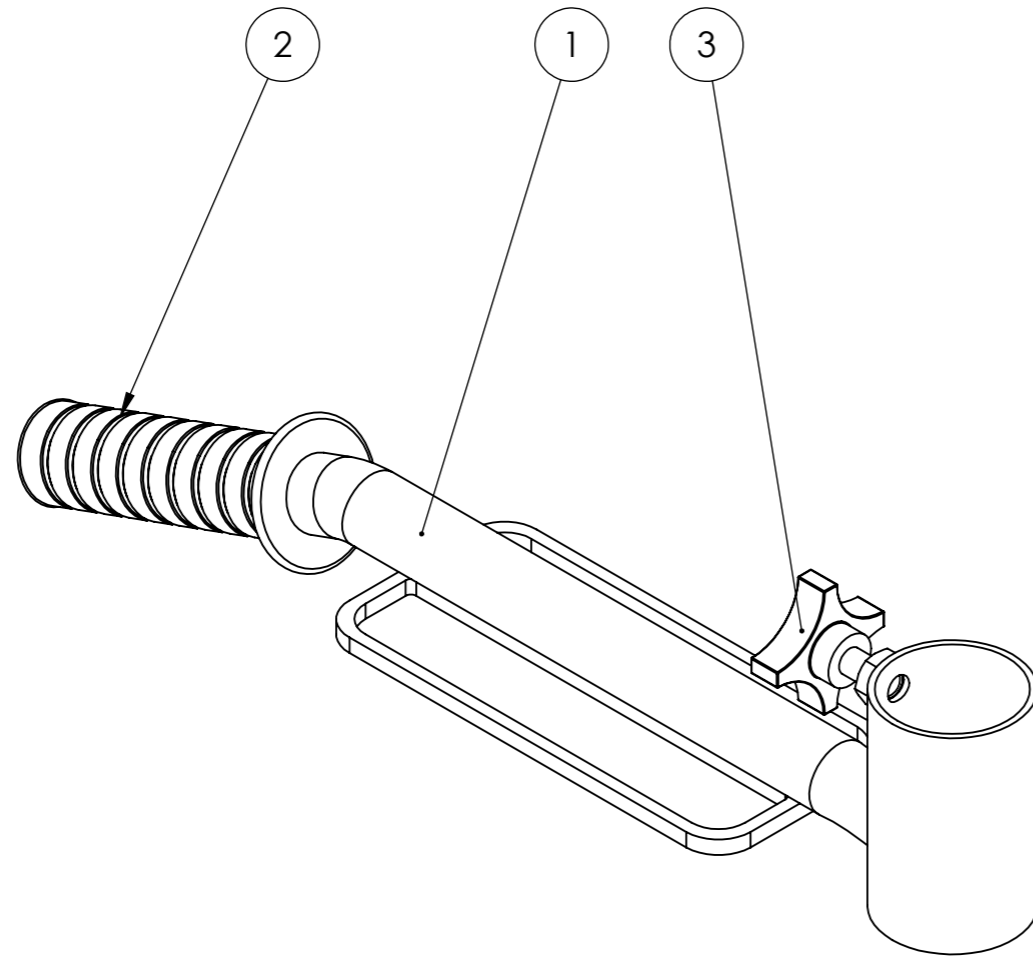




ITEM NO.	PART NUMBER	Description	QTY.
1	DR-8000	Håndtag for drop	1
2	Cykel håndtag		1
3	ø40 håndskruex15		1



Rev	Date	Description	
 rehab-care.dk <small>Avnvej 10 -7400-Herring Denmark WWW.rehab-care.dk</small>		Scale:	1:2
		Paper:	A3
		Sheet 1 of 1	
Description: Håndtag for dropstativ med ophæng			
Surface treatment:		Color:	
Drawn By: MG	Drawn Date: 19-02-20		
Weight: 609.27	State: - ok	Material:	
 Tolerances ISO 2768-cl		Drawing No.: DR-8100	Rev. A