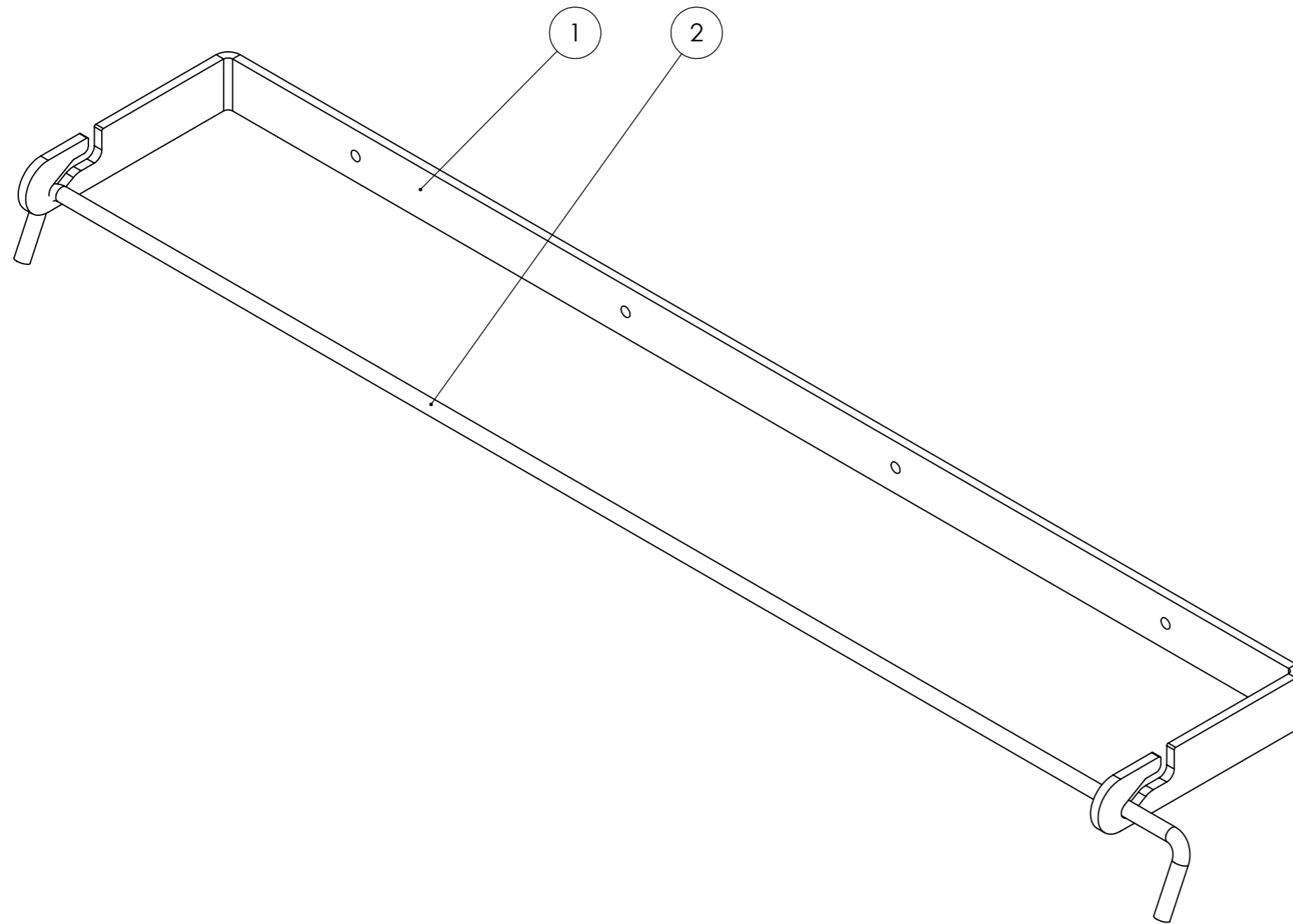
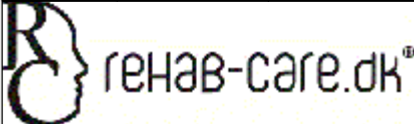



ITEM NO.	PART NUMBER	DESCRIPTION	QTY.
1	PU4-740		1
2	PU6		1



Rev	Date	Description
		Scale: 1:2.5
Avnvej 10 -7400-Herring Denmark WWW.rehab-care.dk		Paper: A3
Description:		
Surface treatment:		Color:
Drawn By:	Drawn Date:	
Weight:	State: - ok	Material:
 Tolerances ISO 2768-cl	Drawing No.: Papir-væg	Rev.