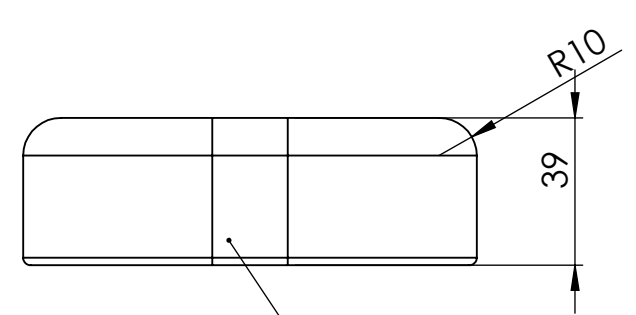
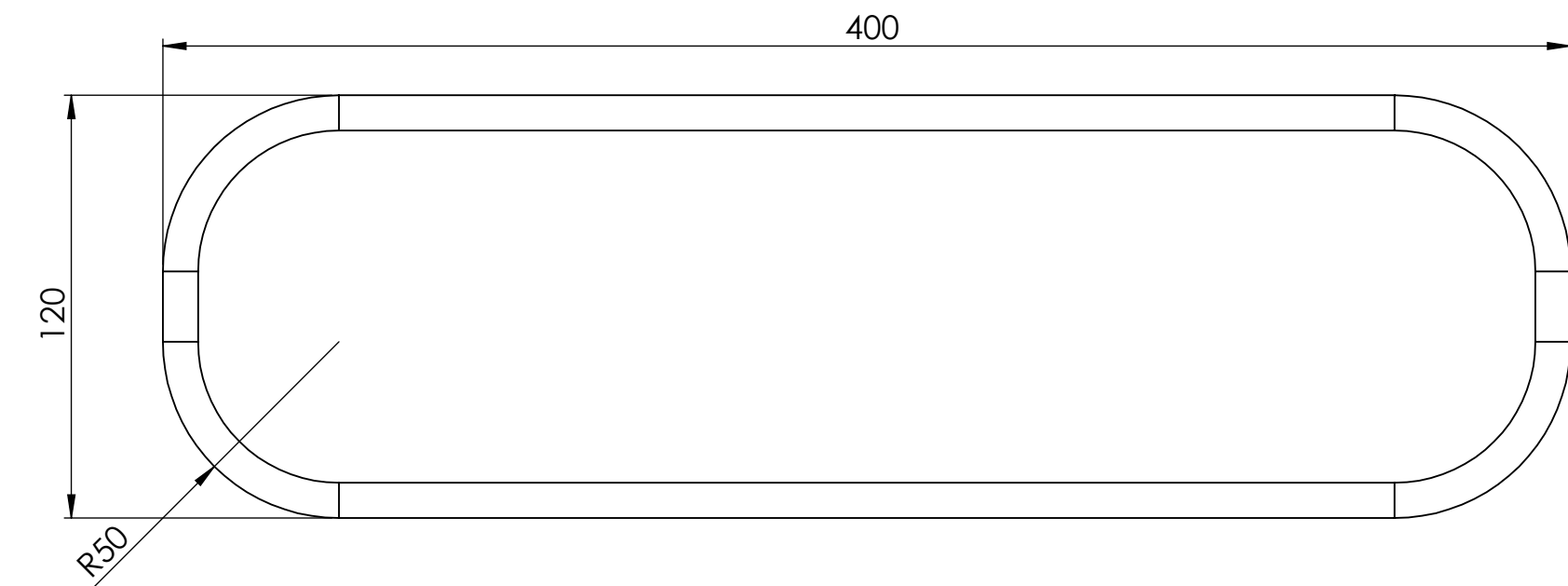


Bund.
Skai afsluttet i ned fræset rille og fuget



19mm spånpl. med hvid melamin



Rev	Date	Note


rehab-care.dk
 Avnvej 10 -7400-Herring Denmark WWW.rehab-care.dk


Scale: 1:2
 Paper: A3
 Sheet 1 of 1

Description: Armlæn

Surface treatment: Color:

Drawn By: MG Drawn Date: 04-01-20

Weight: 1767.31 State: - ok Material: Material <not specified>


 Drawing No.: arm-02-polst Rev.