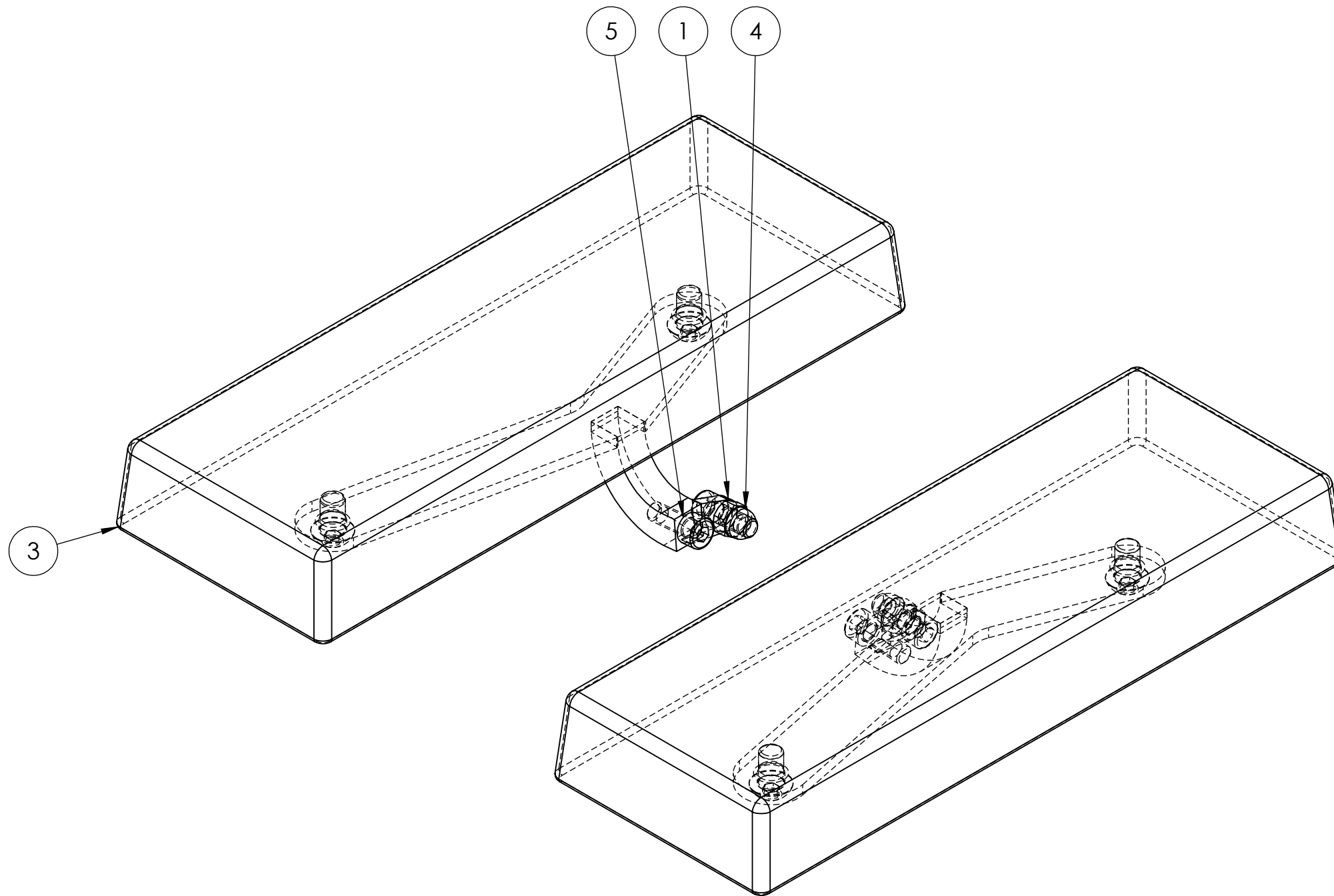
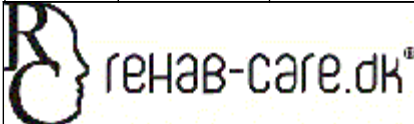



ITEM NO.	PART NUMBER	Description	QTY.
1	ts-7790	Ophæng pude højre	1
2	ts-7795	Ophæng pude venstre	1
3	PU-BO-330-S	PU pude	2
4	DIN 1587 - M8 --NUC		2
5	DIN 912 M8 x 20 --- 20N		4
6	ISO 7380 - M10 x 16 - 16N		4



Rev	Date	Description
		Scale: 1:2
<small>Avnvej 10 -7400-Herring Denmark WWW.rehab-care.dk</small>		Paper: A3
Description: Bredde sæt		
Surface treatment:		Color:
Drawn By: MG	Drawn Date: 19-02-20	
Weight: 3890.24	State: - ok	Material:
		Drawing No.: ts-8450
Tolerances ISO 2768-cl		Rev. A