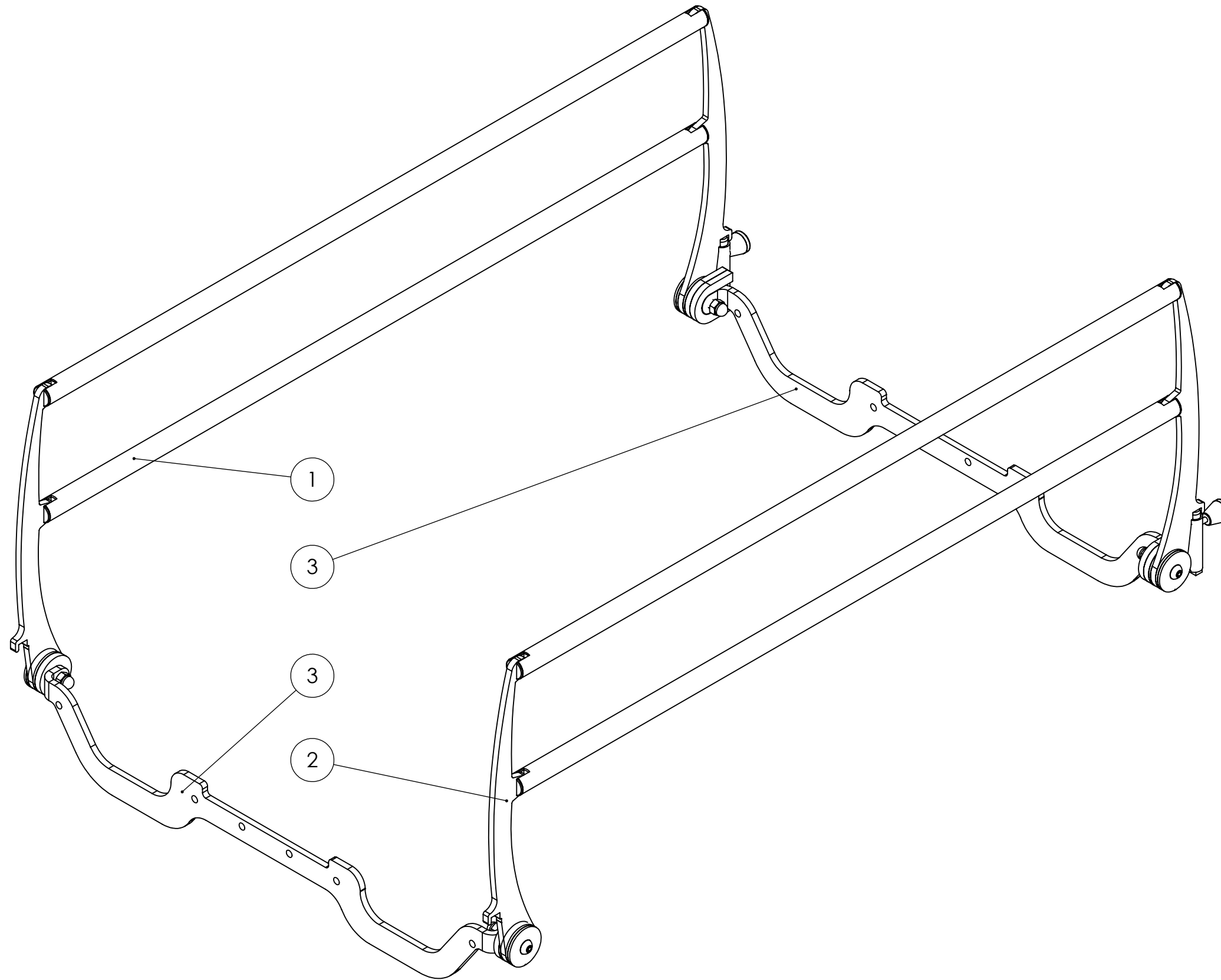



ITEM NO.	PART NUMBER	DESCRIPTION	QTY.
1	SH-10000		1
2	SH-10500		1
3	SH40		2



Rev	Date	Description
		Scale: 1:5
		Paper: A3
		Sheet 1 of 1
Description: Bøjle sengeheste sæt		
Surface treatment:		Color:
Drawn By: MG	Drawn Date: 04-09-2023	
Weight: 12860.34	State: - ok	Material:
 Tolerances ISO 2768-cl		Drawing No.: SH-11000 Rev. A