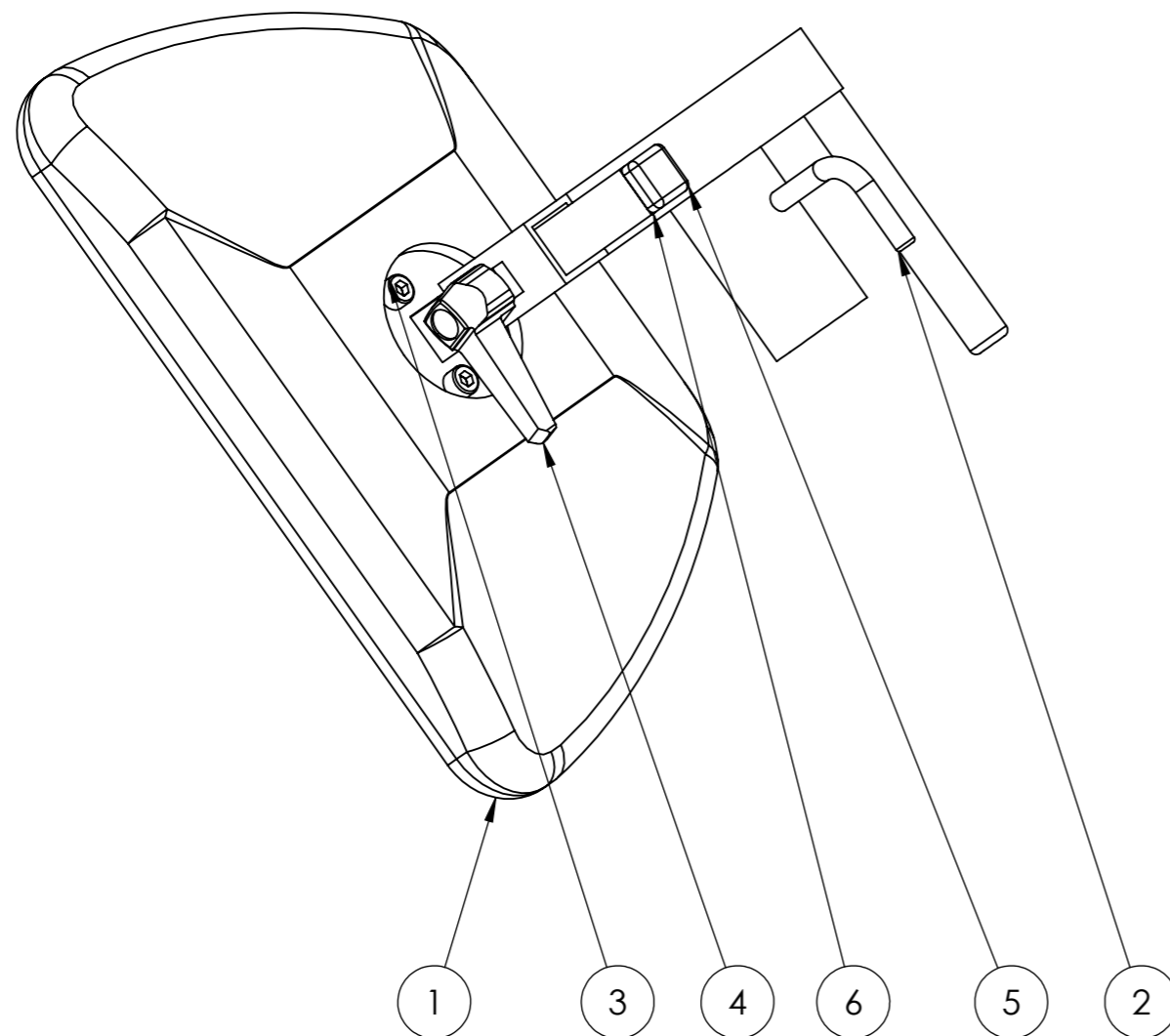
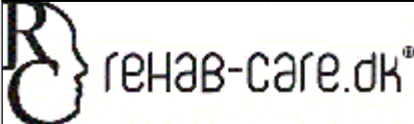



ITEM NO.	PART NUMBER	Description	QTY.
1	TST-2009	PU pude sidestøtte	1
2	ts-9840	Holder for sidestøtte, Venstre	1
3	DIN 912 M5 x 10 --- 10N		3
4	M6 greb	M6 greb	1
5	15x15 PROP	Plast prop	1
6	ts-9860	Beslag for sidestøtte	1



Rev	Date	Description
		Scale: 1:2
<small>Avnvej 10 -7400-Herring Denmark WWW.rehab-care.dk</small>		Paper: A3
Sheet 1 of 1		
Description: Kropsstøtte komplet venstre		
Surface treatment:		Color:
Drawn By: MG	Drawn Date: 08-01-20	
Weight: 1419.50	State: - ok	Material:
 Tolerances ISO 2768-cl	Drawing No.: TS-10350	Rev.