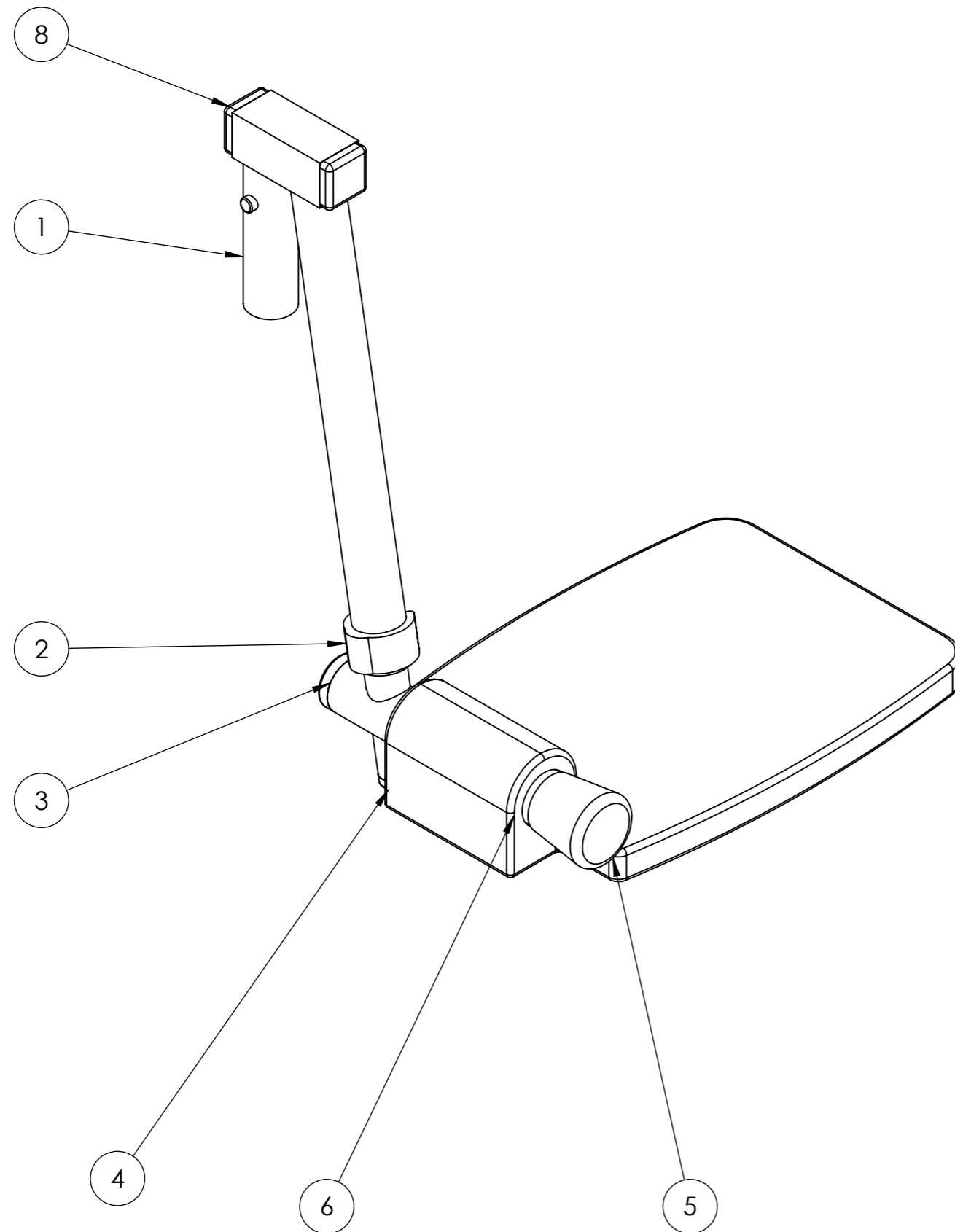




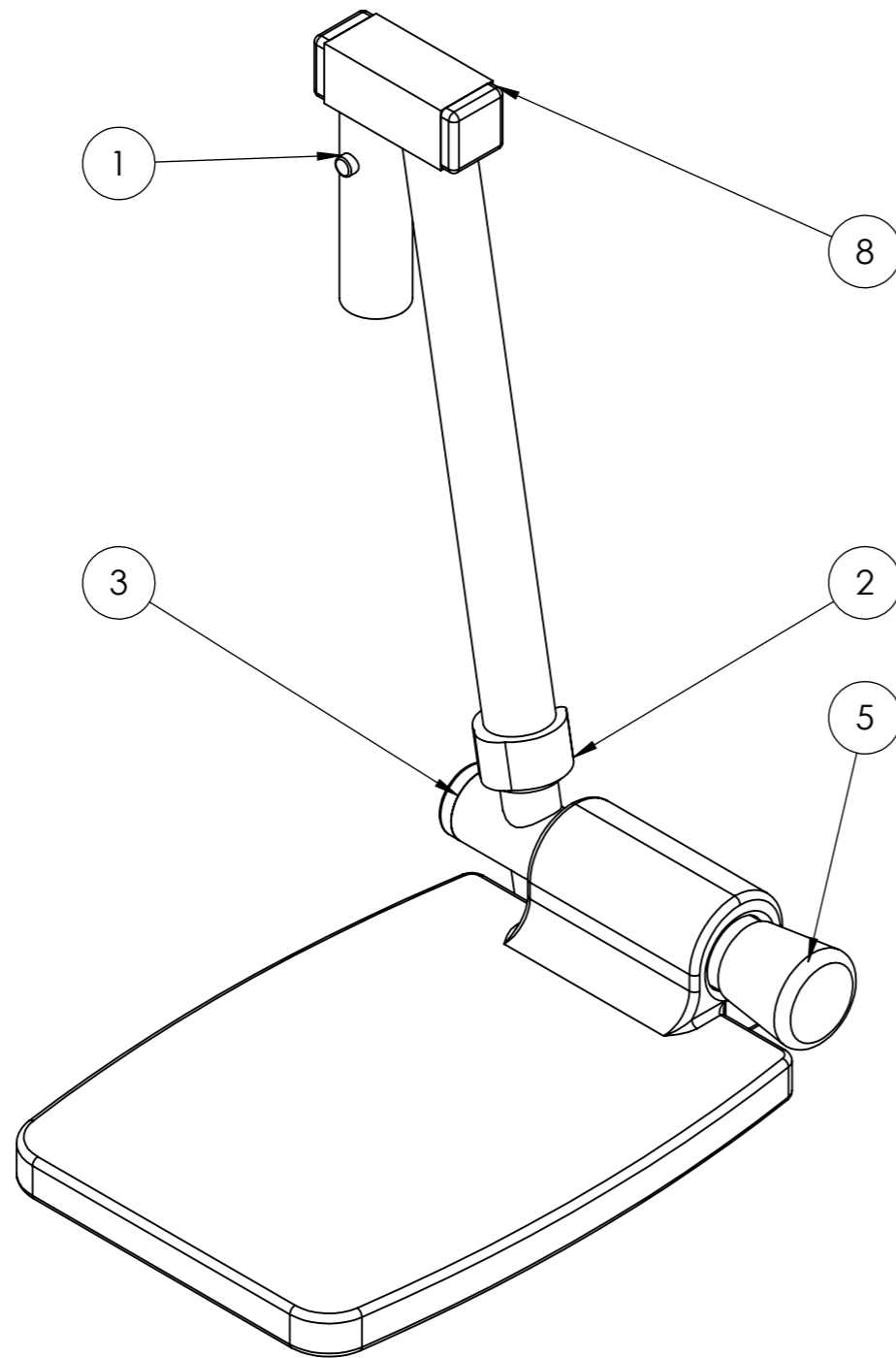
ITEM NO.	PART NUMBER	Description	QTY.
1	ts-6180	Holder for fod hviler - lille	1
2	Krykke lås	Krykkelås ø20	1
3	ø22 prop	Plast prop	1
4	Prop ø16-2	Plast prop	2
5	SGD22-2	Prop for fodhviler	1
6	ts-6160	Fodhviler holder kort	1
7	TST-3001	Fodplade lille plast	1
8	20X20 PROP	Plast prop	2





Rev	Date	Note

 <b>rehab-care.dk</b> <small>Avnvej 10 -7400-Herring Denmark WWW.rehab-care.dk</small>	Scale:	1:2
	Paper:	A3
	Sheet 1 of 1	
Description: Fodhviler komplet lille		
Surface treatment:		Color:
Drawn By: MG	Drawn Date: 06-01-20	
Weight: 999.63	State: - ok	Material:
 Tolerances ISO 2768-cl	Drawing No.: <b>TS-8270</b>	Rev.



ITEM NO.	PART NUMBER	Description	QTY.
1	ts-6180	Holder for fod hviler - lille	1
2	Krykke lås	Krykkelås ø20	1
3	ø22 prop	Plast prop	1
4	Prop ø16-2	Plast prop	2
5	SGD22-2	Prop for fodhviler	1
6	ts-6160	Fodhviler holder kort	1
7	TST-3001	Fodplade lille plast	1
8	20X20 PROP	Plast prop	2

 <b>rehab-care.dk</b> <sup>®</sup> <small>Avnvej 10 -7400-Herring Denmark WWW.rehab-care.dk</small>	Scale:	1:2
	Paper:	A3
	Sheet 1 of 1	
Description: Fodhviler komplet lille Venstre		
Surface treatment:		Color:
Drawn By: MG	Drawn Date: 06-01-20	
Weight: 999.63	State: - ok	Material:
 Tolerances ISO 2768-cl	Drawing No.: <b>TS-8280</b>	Rev.