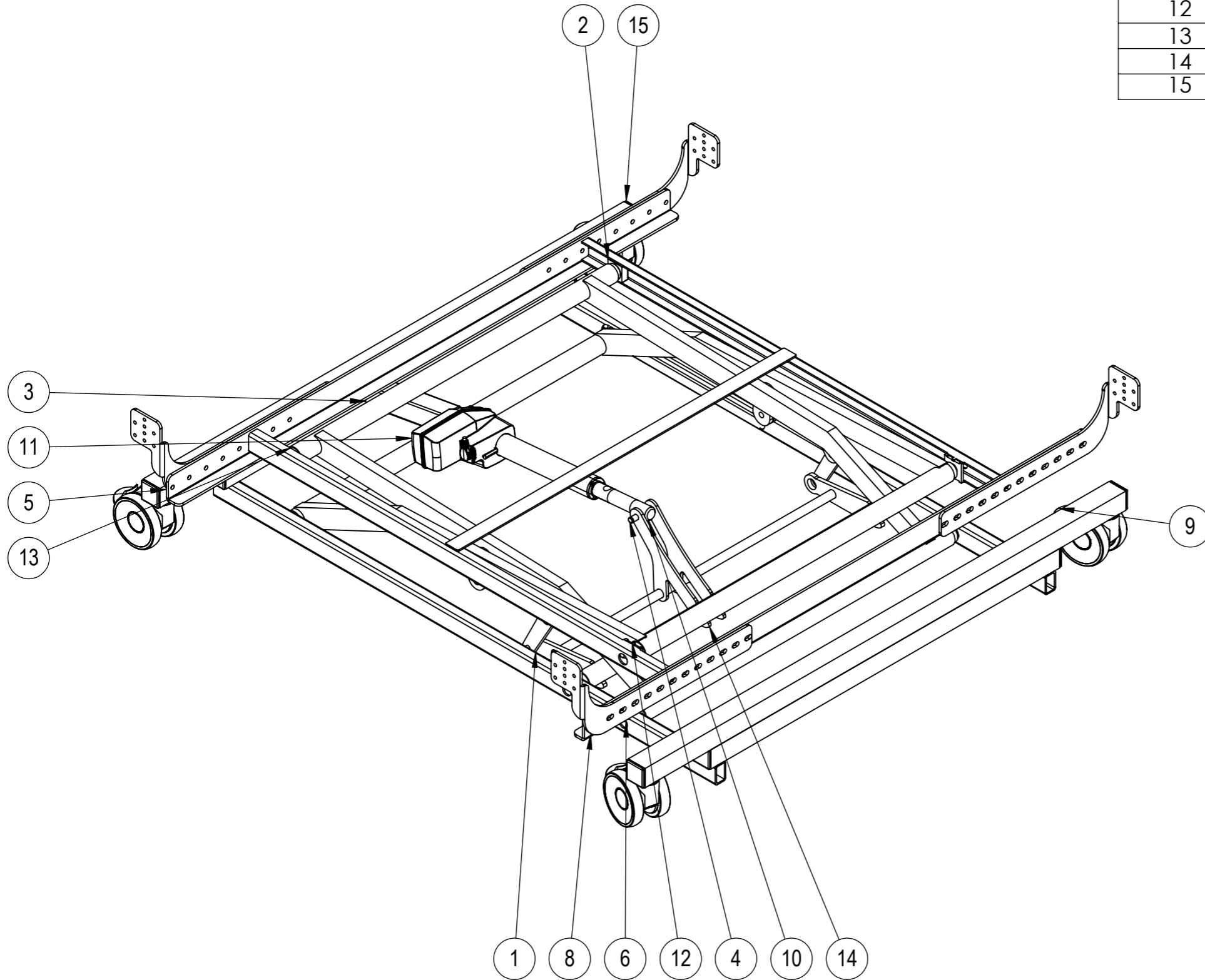
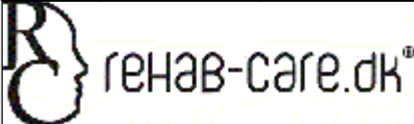



ITEM NO.	PART NUMBER	Description	QTY.
1	L6-A	Løfte laske	2
2	L53-H	Glideklods	4
3	SE-5500-120	Hjulramme sengeløft 120cm	1
4	Pin-ø10-54	Pin ø10 x 54	2
5	SE-4100-140	Topramme sengeløfter 140cm	1
6	PAF 201812 P10	Krave bøsning	4
7	DIN 912 M12 x 20 --- 20N		2
8	SE-1016	Sengebeslag	4
9	5945UAP100P30- 10_LH	Wheel low ø100 brake	4
10	Top-LA40-250		1
11	MOT-38	Løftemotor MOT-38	1
12	M4-120	Saks udvendig 120cm	1
13	M5-120	Saks indv. 120cm	1
14	L500-120	Løftetravers saks 120cm	1
15	40X40 PROP	Plastprop 40x40	8



Rev	Date	Note
A		
		Scale: 1:8
<small>Avnvej 10 -7400-Herring Denmark WWW.rehab-care.dk</small>		Paper: A3
Sheet 1 of 1		
Description: Sengeløfter til 140cm seng		
Surface treatment:		Color:
Drawn By: MG	Drawn Date: 12-08-19	
Weight: 49517.26	State: - ok	Material:
		Drawing No.: <b>SE-140-200</b>
		Rev. <b>A</b>